

**PETEC**

MARINE HYDRAULIC ENGINEERS SINCE 1988



**PRODUCT**

**CATALOGUE**

**2025-2026**

PETEC Global Marine Solutions |  
Product Catalogue 2025-2026

**PETEC**  
MARINE HYDRAULIC ENGINEERS SINCE 1988



PETEC Global Marine Solutions |  
Product Catalogue 2025-2026

**PETEC**  
MARINE HYDRAULIC ENGINEERS SINCE 1988



# PRODUCTS

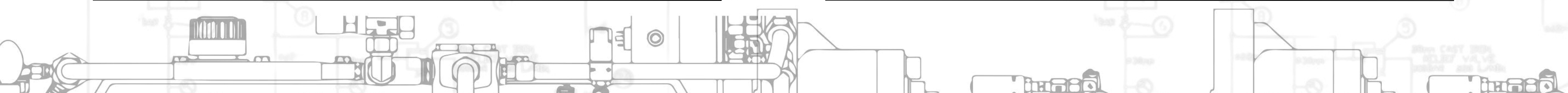
BUILT FOR EFFICIENCY, DURABILITY, AND INNOVATION



## INDEX PAGE

Dewatering Screens (DS-Series)	01
Fish Pumps (FP-Series)	02
Hydraulic Incline Power Take-Off (GB-Series)	03
Anchor Winches (AW-Series)	04
Purse Seine Winches (PW-Series)	05
Net Hauler (3RNH-Series)	06
Net Stacker (NS-Series)	07
Bow Thruster (BT-Series)	08

Retractable Stern Thruster (RST-Series)	09
Snatch Blocks (SB-Series)	10
SP Sampling Crane, SP Life Boat Davit, SP Winch (SP-Series)	11
SP Hydraulic Power Units, Steering Systems (SP-Series)	12
SP Vertical Capstans, SP Trawl Doors (SP-Series)	13
SP Snatch Block, SP Control Panels (SP-Series)	14
Trawl Winch (TW-Series)	15
Key Products, Product Applications, Product Innovation & Design	16



# PRODUCT RANGE

DS-Series Dewatering Screen, FP-Series Fish Pump, GB-Series Hydraulic Inline, AW-Series Anchor Winch, and 3RNH Series Net Hauler. Our DS-Series Dewatering Screens are characterized by their efficient water separation, removable screens, and complete marine grade stainless steel 316 fabrication. The FP-Series Fish Pump is designed to deliver unhindered fish at high pumping rates and features a marine-grade aluminum body with stainless steel cages and rubber buffer strips for added protection. Our GB-Series Power Take Offs have been specifically designed for vessels requiring a compact but high-performance gearbox, and our AW-Series Anchor Winches provide peak performance in a compact design. Finally, our 3RNH Series Net Haulers are designed to guide fishing nets effectively and efficiently, minimizing the overall time spent on net stacking.

In addition to our high-quality products, we also offer a range of services to our customers, including design systems, manufacturing, servicing, and installation, marine repair, mechanical engineering, reconditioning and repairs, conversions, hydraulic services, supplies and repairs, marine products, repairs to marine products, and design of specialized products. Our team is committed to providing our customers with high-quality engineering services and solutions, ensuring their satisfaction.

## DEWATERING SCREEN

# DS-SERIES

Introducing our advanced Dewatering Screen, a revolutionary solution designed to effectively divert, protect, and separate fish from the incoming fish-water flow mixture. With their superior performance and durable construction, these screens are a top choice in the industry.

The DS-Series Dewatering Screens come with several valuable features. These include removable marine-grade Stainless Steel 316 screens and rust-resistant housing. Moreover, they are designed with an internal flow control flap to ensure precise control over fish delivery rates. Additionally, for enhanced convenience and reduced fish wastage, an optional top-inverter box is available for easy setup.

PETEC Global Marine Solutions |  
Product Catalogue 2025-2026



### BENEFITS:

- Efficient fish separation, ensuring proper handling and minimizing damage
- Long-lasting durability and corrosion resistance with marine-grade Stainless Steel 316 construction
- Accurate control of fish delivery rate for optimized operations
- Space-saving design, maximising available deck space for other operations

## DEWATERING SCREEN

# DS-SERIES FEATURES

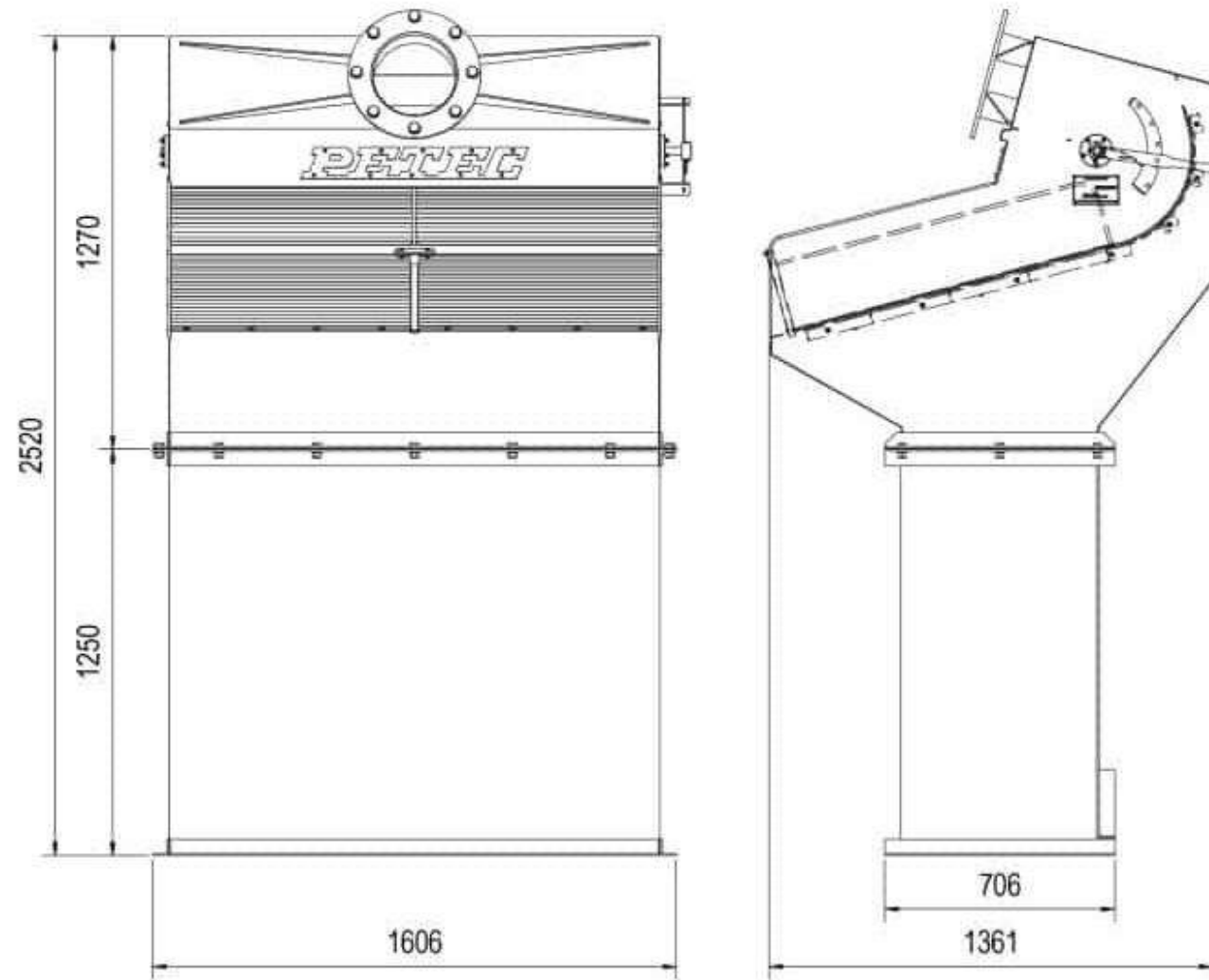
- Removable Marine Grade S/S 316 Dewatering Screens
- Marine Grade S/S 316 Housing
- Internal Flow Control Flap
- Optional Top Line Diverter Box



# DS-SERIES SPECIFICATIONS

## DS-SERIES

Dewatering Screen DS-10



SPECIFICATIONS	
DEWATERING AREA	1.5m <sup>2</sup>
INLET FLANGE SIZE	8" TABLE D
MASS	±285kg (excl. Diverter & Shoot Off)

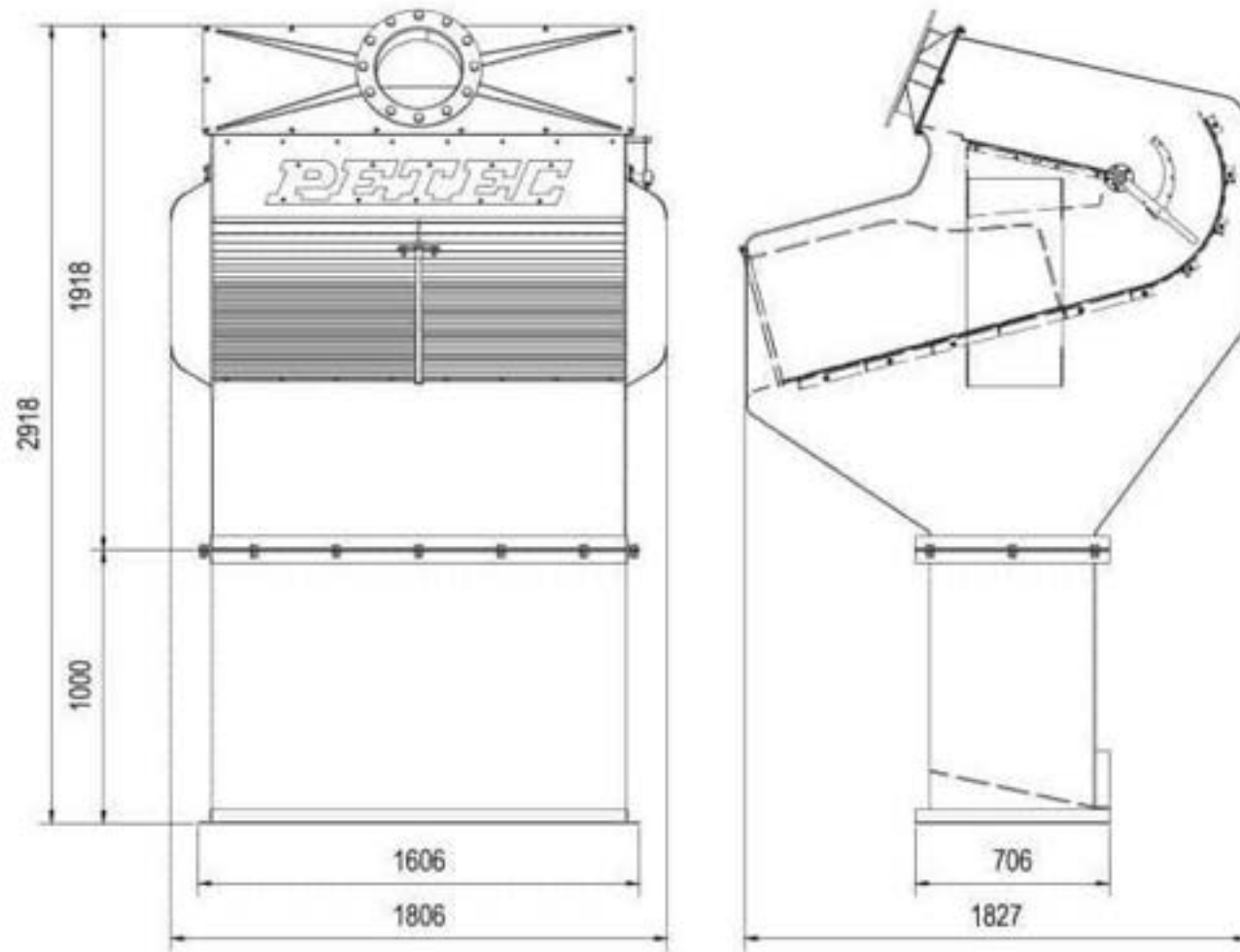
Dewatering Screen DS-10

<b>DS-10</b>
Dewatering Area 1.5m <sup>2</sup>
Inlet Flange Size 8" Table D
Mass ±285kg (excl. Diverter & Shoot Off)

# DS-SERIES SPECIFICATIONS

## DS-SERIES

Dewatering Screen DS-15



SPECIFICATIONS	
DEWATERING AREA	3.8m <sup>2</sup>
INLET FLANGE SIZE	12" TABLE D
MASS	±575kg (excl. Diverter & Shoot Off)

Dewatering Screen DS-15

<b>DS-15</b>
Dewatering Area 3.8m <sup>2</sup>
Inlet Flange Size 12" Table D
Mass ±575kg (excl. Diverter & Shoot Off)



PETEC Global Marine Solutions |  
Product Catalogue 2025-2026

**PETEC**  
MARINE HYDRAULIC ENGINEERS SINCE 1988

## FISH PUMP

# FP-SERIES

Introducing our high-quality Fish Pump, designed to deliver fish at high pumping rates with minimal damage. These fish pumps are built to withstand the demands of the marine environment and provide efficient and reliable fish transfer capabilities.

The FP-Series Fish Pumps feature a marine-grade aluminium, well-spaced impeller blades, and a smooth exit port for optimum fish passage. They are driven by a high-speed fixed displacement hydraulic motor and come with stainless steel cages and rubber buffer strips for added protection.

PETEC Global Marine Solutions |  
Product Catalogue 2025-2026



### BENEFITS:

- High pumping rates for efficient fish transfer
- Minimal fish damage due to well-spaced impeller blades and smooth exit port
- Long-lasting durability and corrosion resistant
- Reliable operation under extreme sea conditions

## FISH PUMP

# FP-SERIES FEATURES

- Fabricated from seawater resistant aluminium mounded rubber buffer strips around the body
- Protective stainless steel cage/s
- Robust fixed displacement hydraulic motor
- Various outlet – hose couplers

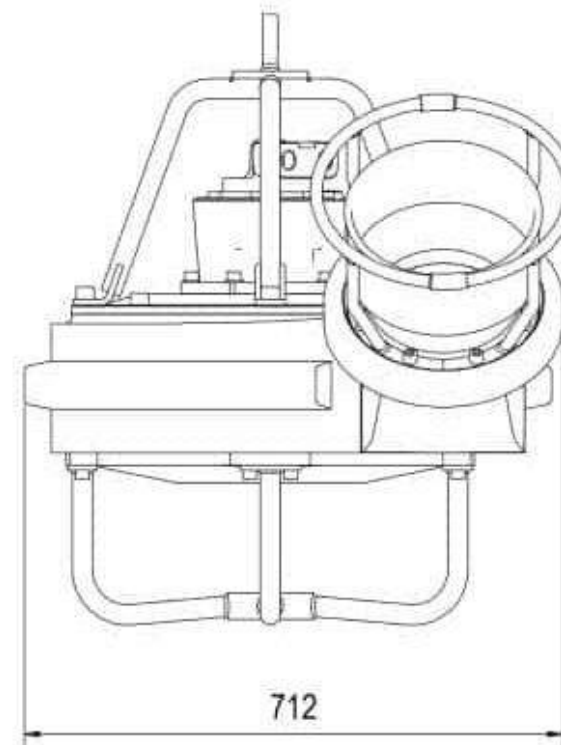
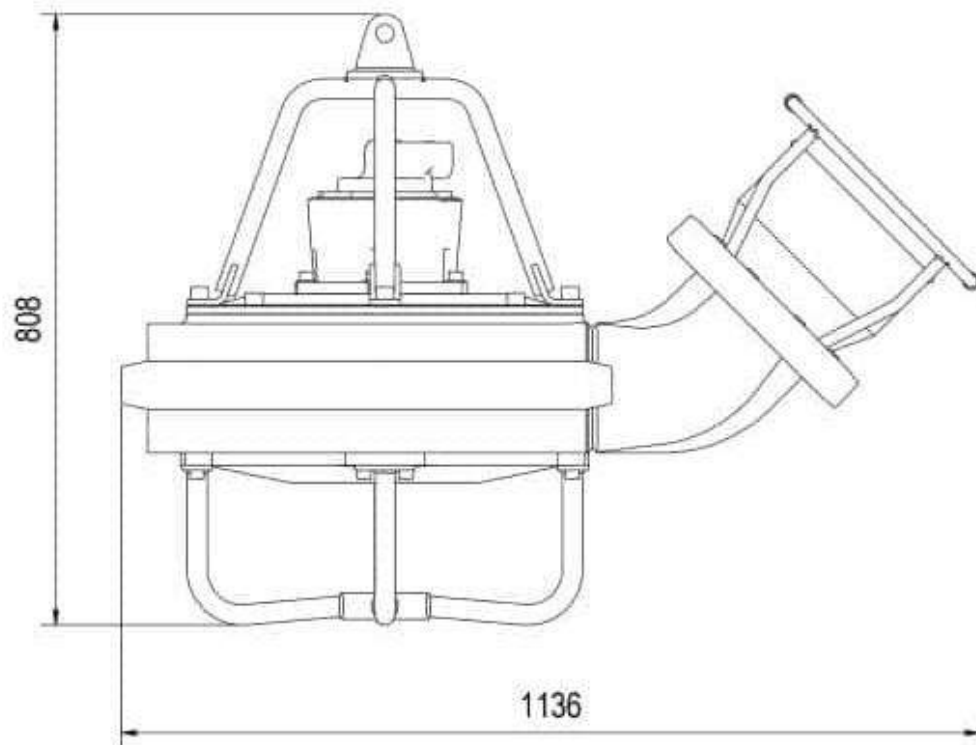


# FP-SERIES SPECIFICATIONS

**FP-200-CH**

**FP-200-CH (8")**

**PETEC**



FP-200-CH (8")	
Typical Output:	450tons/hr @ 85L/min @ 10MPa
Max Pressure:	18MPa
Max Return Line Pressure:	2MPa
Oil Flow:	60 - 90L/min

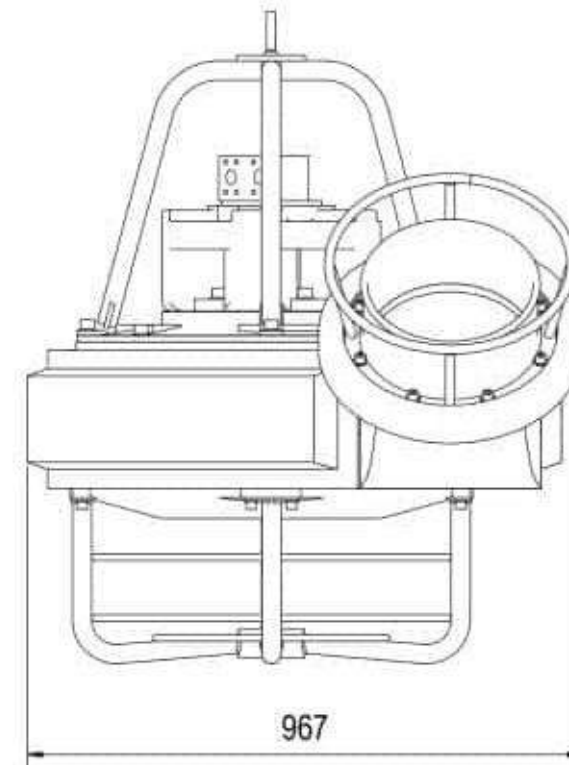
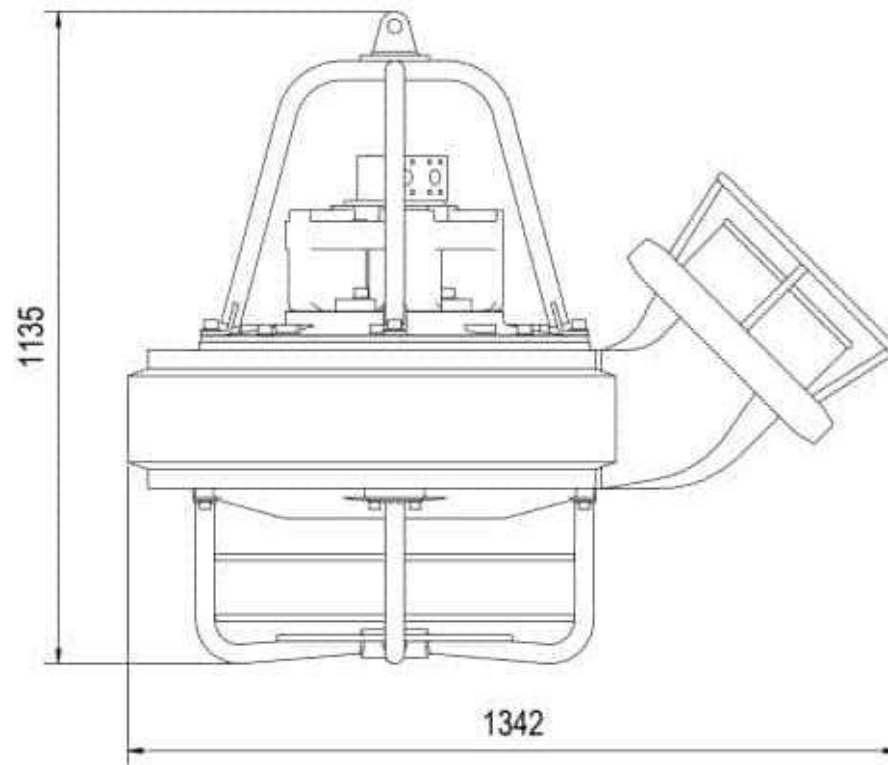
FP-200-CH	
Typical:	450tons/hr @ 85L/min @ 10MPa
Max Pressure:	18MPa
Max Return Line Pressure:	2MPa
Oil Flow:	60 - 90L/min
Mass:	±100kg

# FP-SERIES SPECIFICATIONS

FP-320-CH

FP-320-CH (12")

**PETEC**



FP-320-CH (12")	
Typical Output:	1000tons/hr @ 180L/min @ 10MPa
Max Pressure:	20MPa
Max Return Line Pressure:	2MPa
Oil Flow:	180 - 300Lmin

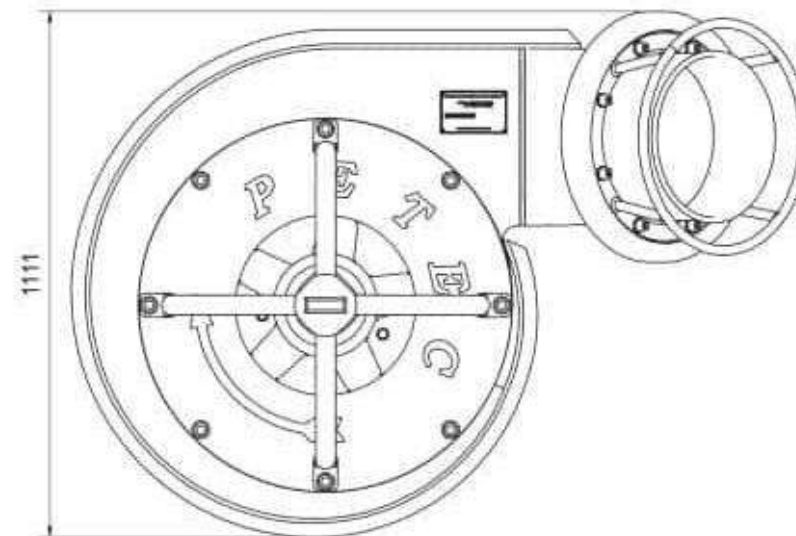
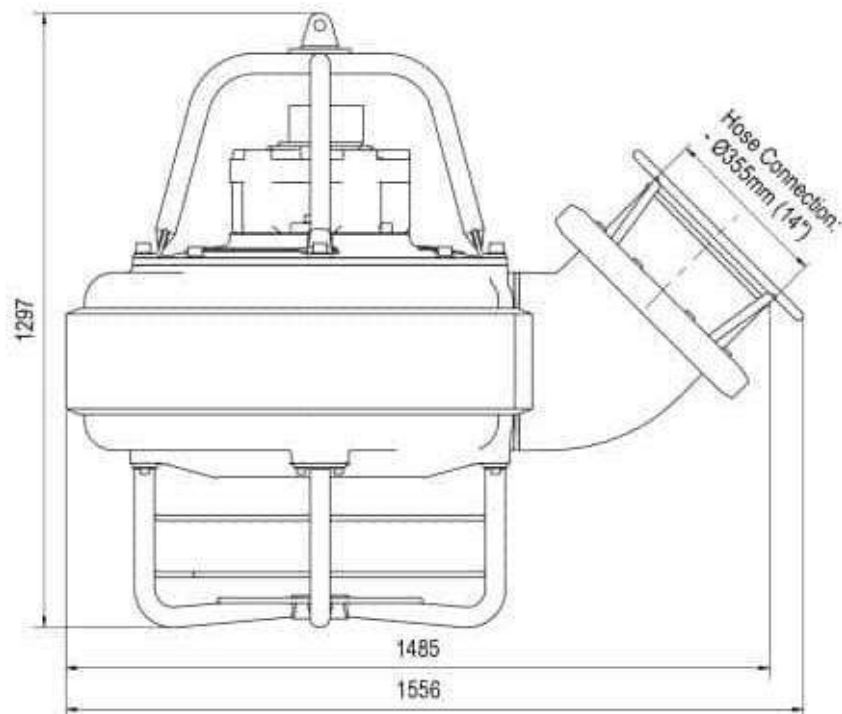
FP-320-CH	
Typical:	1000tons/hr @ 180L/min @ 10MPa
Max Pressure:	20MPa
Max Return Line Pressure:	2MPa
Oil Flow:	180 - 300Lmin
Mass:	±190kg

# FP-SERIES SPECIFICATIONS

**FP-355-CH**

**FP-355-CH (14")**

**PETEC**



FP-355-CH (14")	
Typical Output:	1500tons/hr @ 320L/min @ 15MPa
Max Pressure:	20MPa
Max Return Line Pressure:	2MPa
Oil Flow:	250 - 320Lmin

FP-355-CH	
Typical:	1500tons/hr @ 320L/min @ 15MPa
Max Pressure:	20MPa
Max Return Line Pressure:	2MPa
Oil Flow:	250 - 320Lmin
Mass:	±380kg



PETEC Global Marine Solutions |  
Product Catalogue 2025-2026

**PETEC**  
MARINE HYDRAULIC ENGINEERS SINCE 1988

## HYDRAULIC INLINE

# GB-SERIES

Introducing our advanced Hydraulic Inline Power Take-Off, designed for compact vessels requiring a high-performance gearbox. These power take-off units offer reliable and efficient power transfer, allowing the smooth operation of various hydraulic systems onboard.

The GB-Series Hydraulic Inline Power Take-Off feature a compact design with high-quality bearings, a superior clutch, and precision gear sets for trouble-free operation and extended life. Real-time feedback is provided through gauges, switches, and electronic indicators, enabling accurate monitoring of gearbox performance.

PETEC Global Marine Solutions |  
Product Catalogue 2025-2026



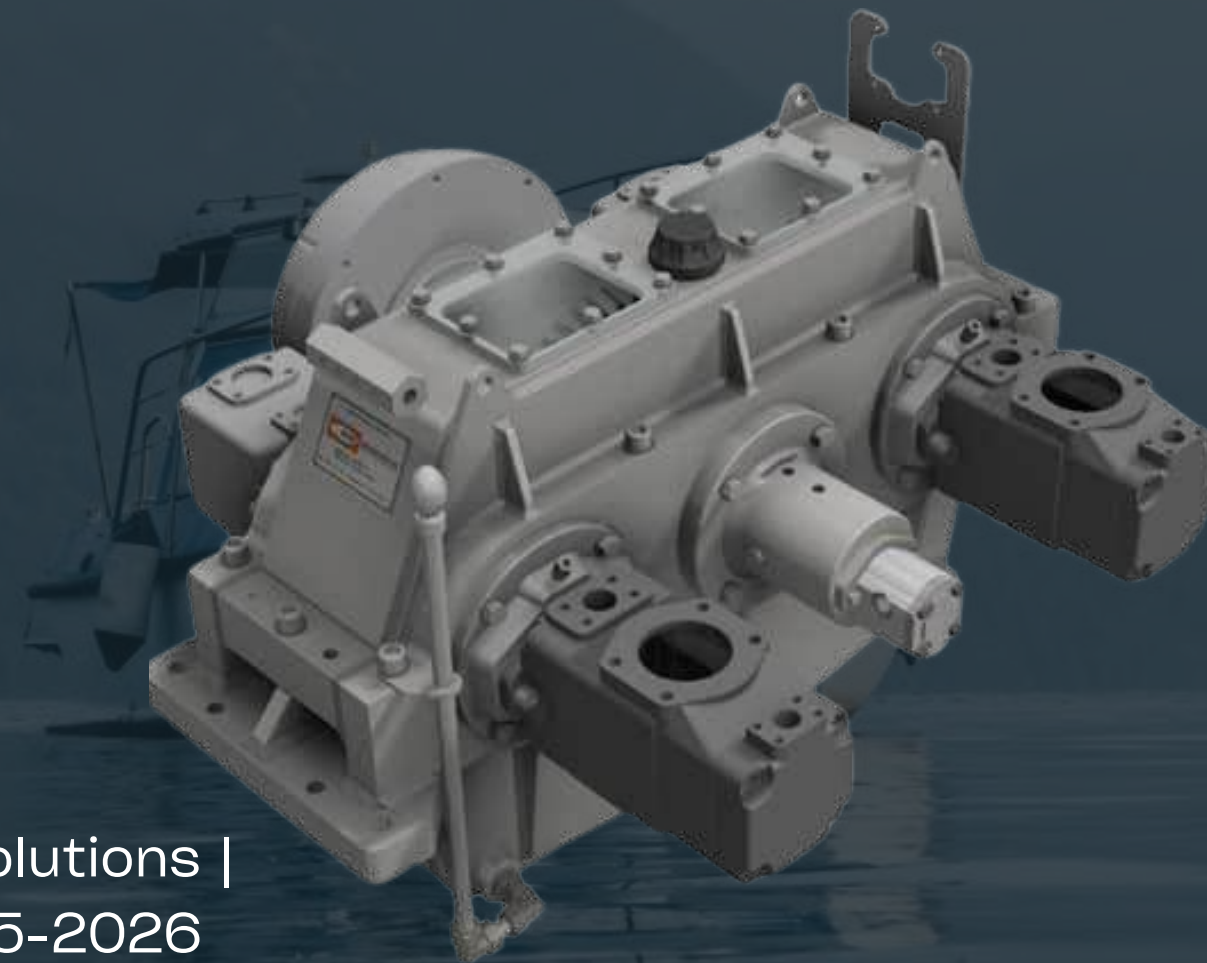
### **BENEFITS:**

- Compact design for space optimisation on vessels
- Reliable power transfer with high-quality bearings and a superior clutch system
- Real-time monitoring of gearbox performance for proactive maintenance
- Extended life and reduced downtime

HYDRAULIC INLINE

# GB-SERIES FEATURES

- Compact design with multiple pump outputs
- High-quality bearings and superior clutch
- Real-time feedback monitoring
- Trouble-free operation and easy maintenance



PETEC Global Marine Solutions |  
Product Catalogue 2025-2026

**PETEC**  
MARINE HYDRAULIC ENGINEERS SINCE 1988



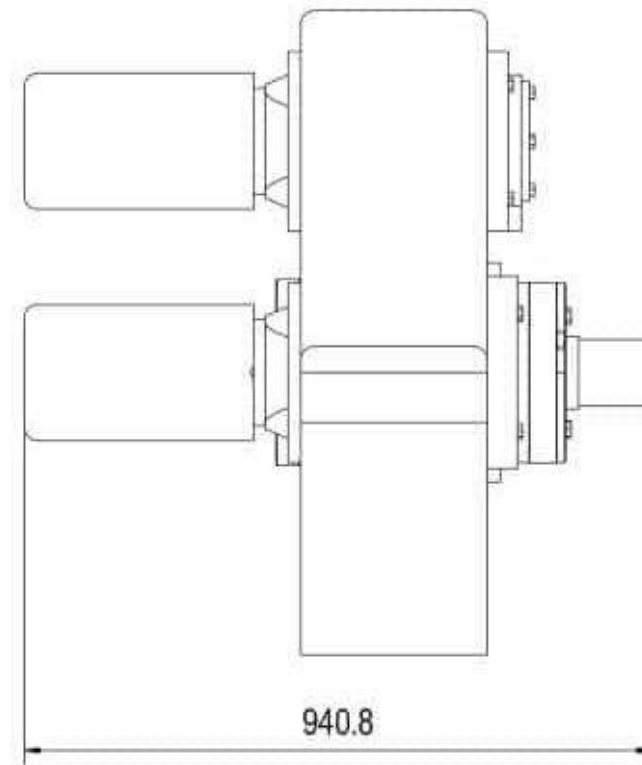
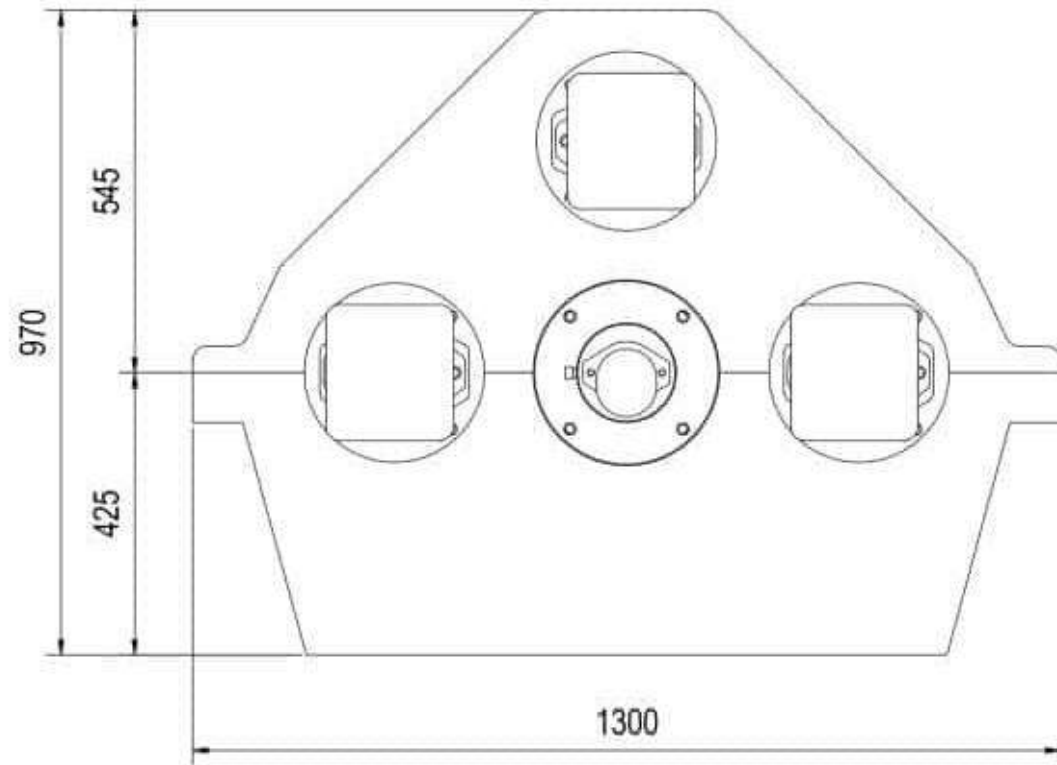
PETEC Global Marine Solutions |  
Product Catalogue 2025-2026

**PETEC**  
MARINE HYDRAULIC ENGINEERS SINCE 1988

# GB-SERIES SPECIFICATIONS

## GB-SERIES

Hydraulic Inline Power Take Off - GB550-6



SPECIFICATIONS	
POWER	550kW
INPUT SPEED RANGE	0 - 1500rpm
MAX PUMP OUTPUTS	6
INPUT SHAFT SIZE	Ø100
PUMP MOUNTING FLANGE	2-Bolt SAE - C
MASS	±2tons

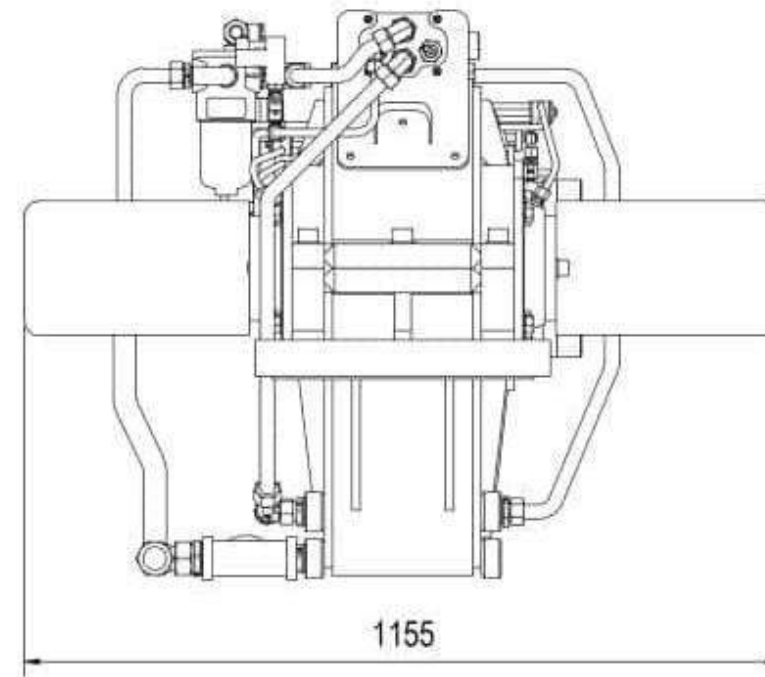
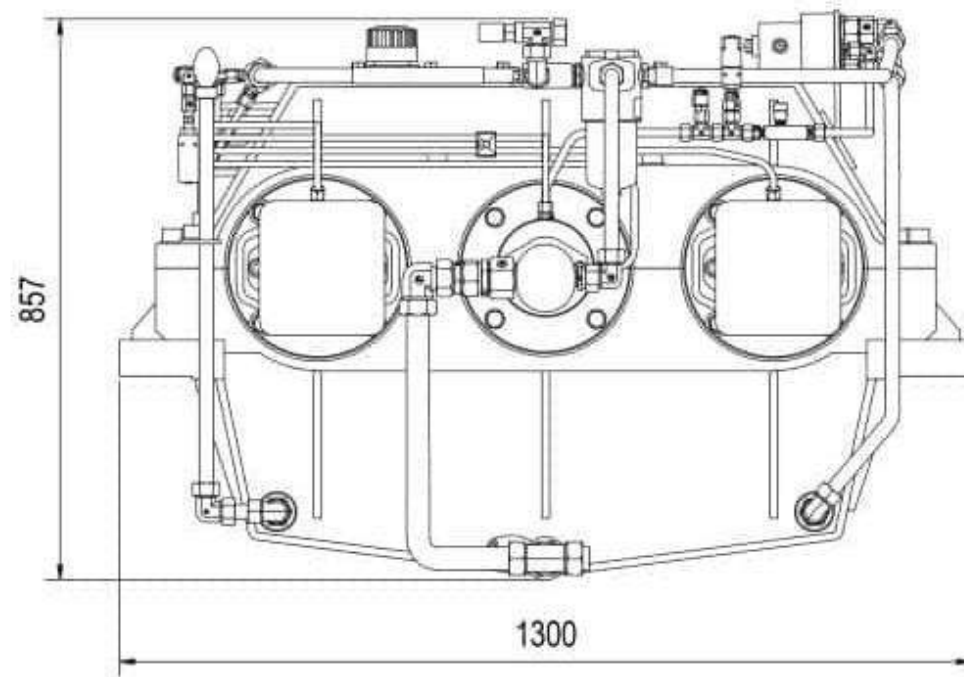
Hydraulic Inline Power Take Off - GB550-6

GB550-6	
Power:	550kW
Input Speed Range:	0 - 1500rpm
Max Pump Outputs:	6
Input Shaft Size:	Ø100
Pump Mounting Flange:	2-Bolt SAE - C
Mass:	±2tons

# GB-SERIES SPECIFICATIONS

## GB-SERIES

Hydraulic Inline Power Take Off - GB550-4



SPECIFICATIONS	
POWER	550kW
INPUT SPEED RANGE	0 - 1500rpm
MAX PUMP OUTPUTS	4
INPUT SHAFT SIZE	Ø100
PUMP MOUNTING FLANGE	2-Bolt SAE - C
MASS	±1.7tons

Hydraulic Inline Power Take Off - GB550-4

### GB550-4

Power:	550kW
Input Speed Range:	0 - 1500rpm
Max Pump Outputs:	4
Input Shaft Size:	Ø100
Pump Mounting Flange:	2-Bolt SAE - C
Mass:	±1.7tons

PETEC Global Marine Solutions |  
Product Catalogue 2025-2026

**PETEC**  
MARINE HYDRAULIC ENGINEERS SINCE 1988

## ANCHOR WINCH

# AW-SERIES

Introducing our advanced Anchor Winch, designed to provide peak performance while minimizing the required deck area. These anchor winches offer reliable and efficient anchoring capabilities, ensuring the secure positioning of the vessel

The AW-Series Anchor Winches feature a compact design with an engageable and durable clutch mechanism. They are built with a quality gearbox for extended life and reduced downtime, ensuring reliable anchoring operations. Our anchor winches play a crucial role in the anchoring process, making it easier to manage heavy anchors and ensuring that vessels can anchor securely and effectively in place.

PETEC Global Marine Solutions |  
Product Catalogue 2025-2026



### BENEFITS:

- Efficient anchoring with a compact design
- Versatile operation
- Reliable engagement and disengagement with a durable clutch mechanism
- Extended life and reduced downtime with a quality gearbox

**PETEC**

MARINE HYDRAULIC ENGINEERS SINCE 1988

## ANCHOR WINCH

# AW-SERIES FEATURES

- Compact design for space optimisation
- Durable clutch mechanism
- Quality gearbox for reliable performance



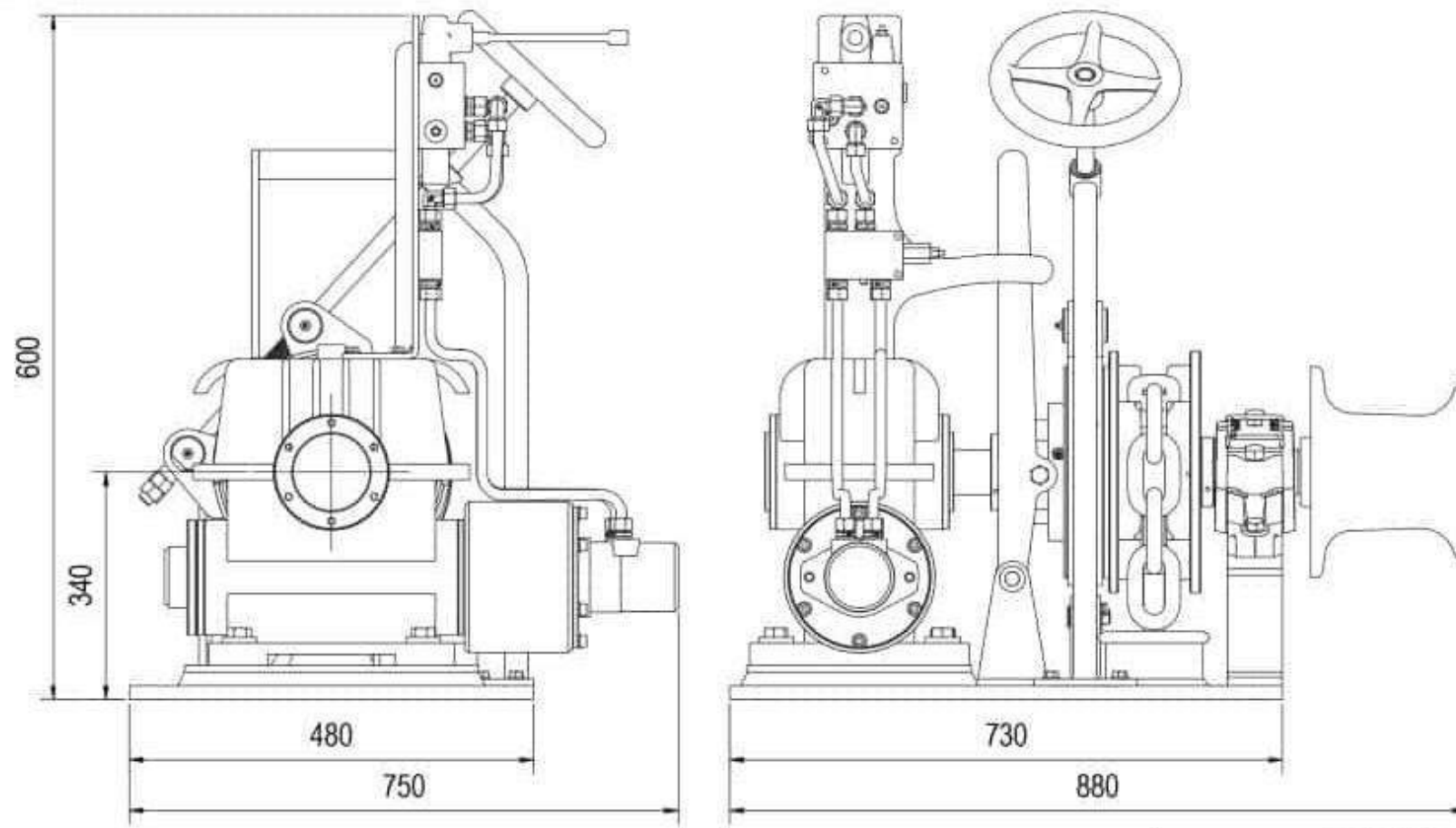
# AW-SERIES SPECIFICATIONS

AW50-H

## AW-SERIES

AW50-H

**PETEC**  
SERVICES [PTY] LTD



SPECIFICATIONS	
MAX PULL	1 ton
CHAIN SPEED	12 - 30 l/ min
OIL FLOW	40 - 60 l/ min
MASS	±350kg

Anchor Winch AW50-H

### AW50-H (Chain: 12mm & 13mm)

Max Pull: 1 ton

Chain Speed: 12 - 30 m/ min

Oil Flow: 40 -60 l/ min

Mass: ±350 kg

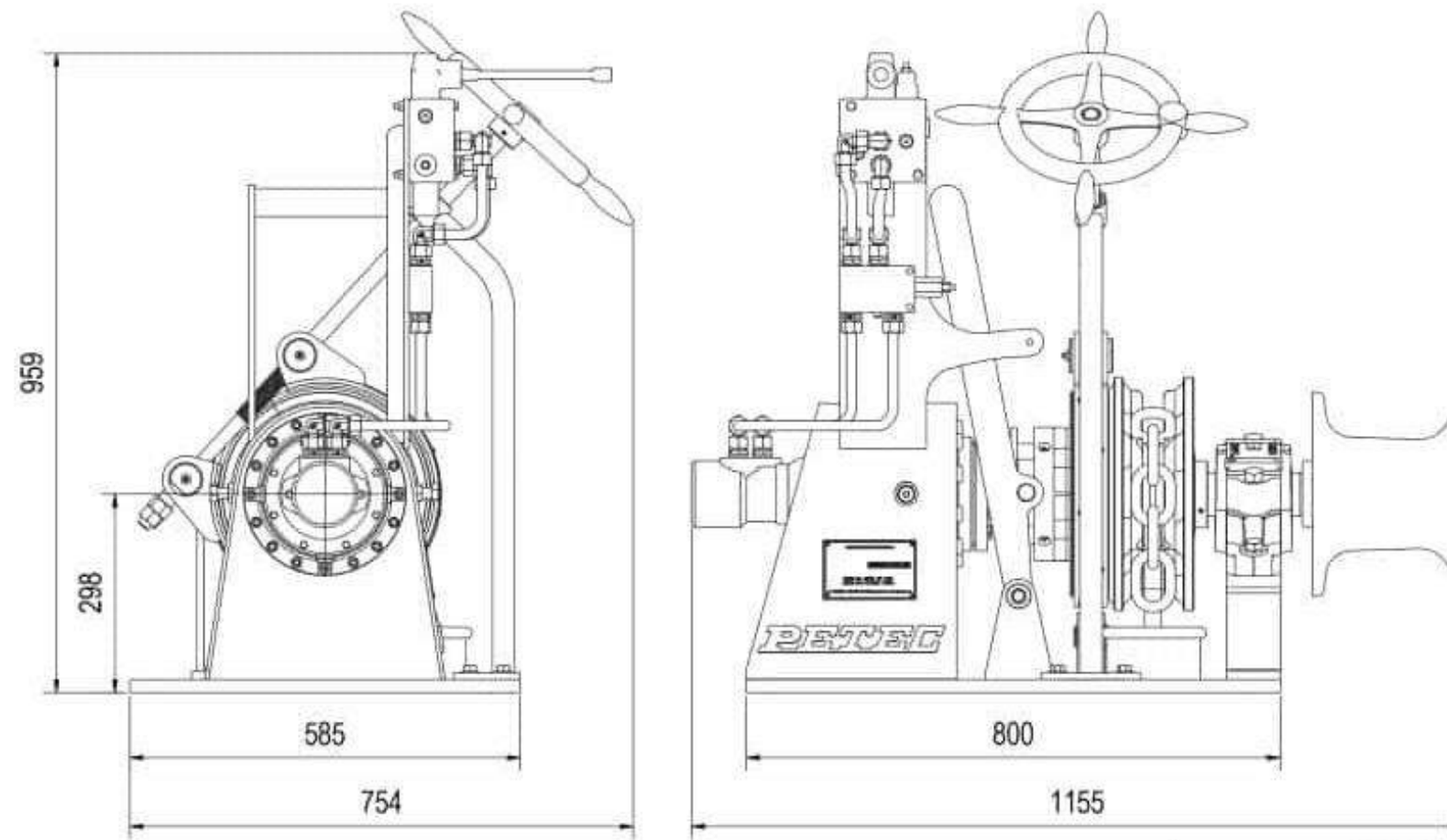
# AW-SERIES SPECIFICATIONS

AW65-H

## AW-SERIES

AW65-H

**PETEC**  
SERVICES (PTY) LTD



SPECIFICATIONS	
MAX PULL	1.5 ton
CHAIN SPEED	12 - 30 l/ min
OIL FLOW	40 - 60 l/ min
MASS	±420kg

Anchor Winch AW65-H

### AW65-H (Chain: 16mm & 20mm)

Max Pull: 1,5 ton

Chain Speed: 12 - 30 m/ min

Oil Flow: 40 -60 l/ min

Mass: ±420 kg



PETEC Global Marine Solutions |  
Product Catalogue 2025-2026

**PETEC**  
MARINE HYDRAULIC ENGINEERS SINCE 1988

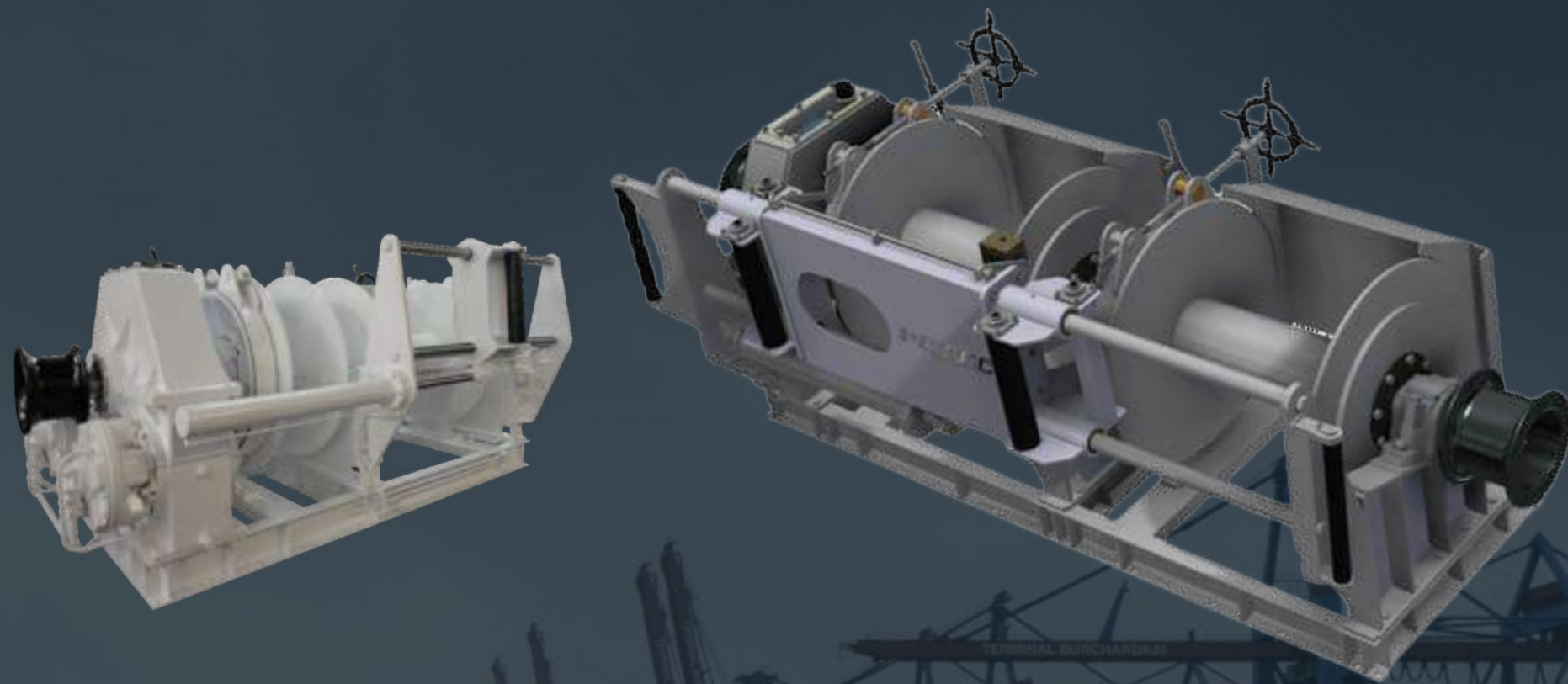
## PURSE SEINE WINCHES

# PW-SERIES

Introducing the PW Purse Seine Winches Series, designed for compact and bigger vessels, offering full functionality and peak performance. These winches provide efficient cable handling capabilities for purse seine operations.

The PW Purse Seine Winches Series features separately engageable drums with hand-wheel-operated hand brakes, allowing the operator to choose between free-wheeling or controlled cable. An automated guiding gear ensures even distribution of the cable over the drum's length, minimizing stacking or crossing-over. The versatile design includes independent warping heads and a quality gearbox for reliable and durable performance.

PETEC Global Marine Solutions |  
Product Catalogue 2025-2026



### **BENEFITS:**

- Compact design occupying minimal deck area
- Versatile operation with separately engageable drums
- Extended cable life with automated guiding gear
- Reduced downtime with a quality gearbox

**PETEC**

MARINE HYDRAULIC ENGINEERS SINCE 1988

## PURSE SEINE WINCHES

# PW-SERIES FEATURES

- Separately engageable drums
- Hand wheel operated band brake
- Automated guiding gear for extended cable life
- Independent warping heads
- Quality gearbox for reliability

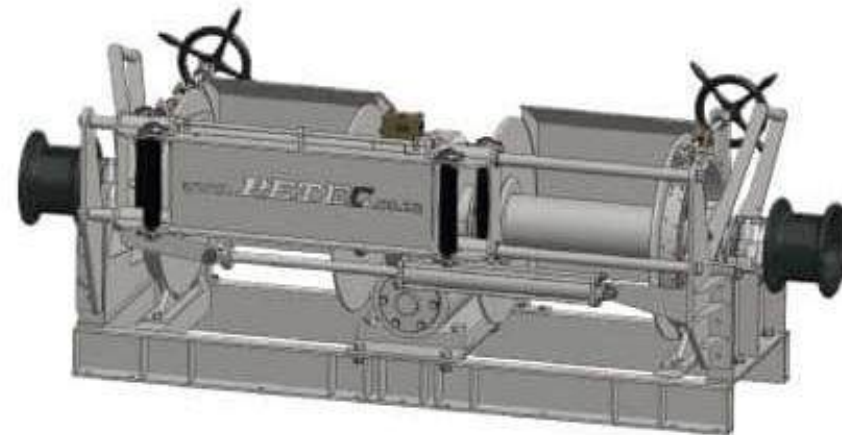
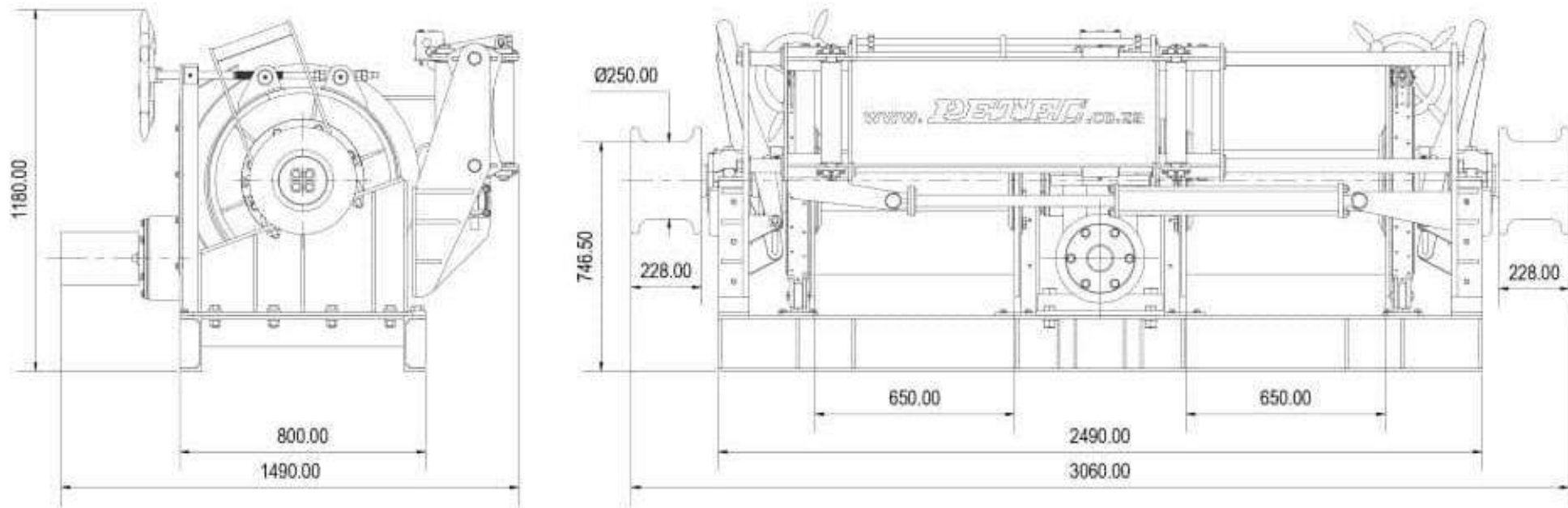


# PW-SERIES SPECIFICATIONS

**PW90**

**PW90**

**PETEC**



PW90	
Max Pull:	14tons @ Ø220 (160bar)
Max Pull:	5tons @ Ø650 (160bar)
Line Speed:	25 - 75m/min @ Ø220
Capacity (Main Drum):	700m (16mm cable)
Optional Kaptou Drum:	200m (16mm cable)
Oil Flow:	200 - 250L/min

PW90	PW120-3
Max Pull:	14tons @ Ø220 (160bar)
Max Pull:	5tons @ Ø650 (160bar)
Line Speed:	25 - 75m/min @ Ø220
Capacity (Main):	700m (16mm cable)
Optional Drum:	200m (16mm cable)
Oil Flow:	200 - 250L/min
Mass:	± 2.5tons

PETEC Global Marine Solutions |  
Product Catalogue 2025-2026

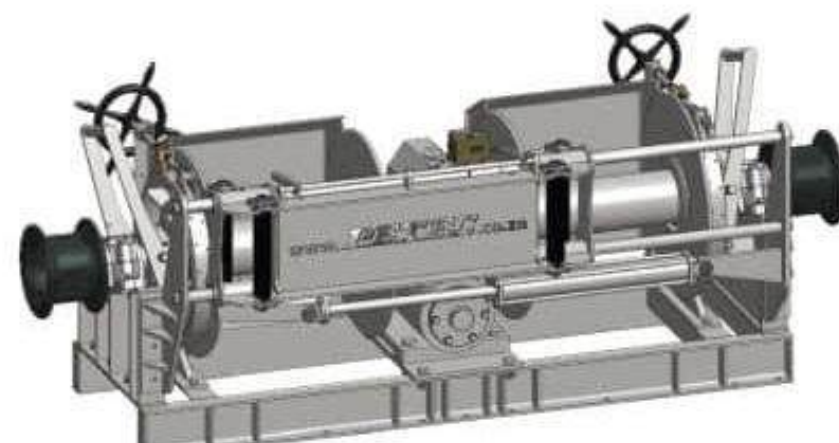
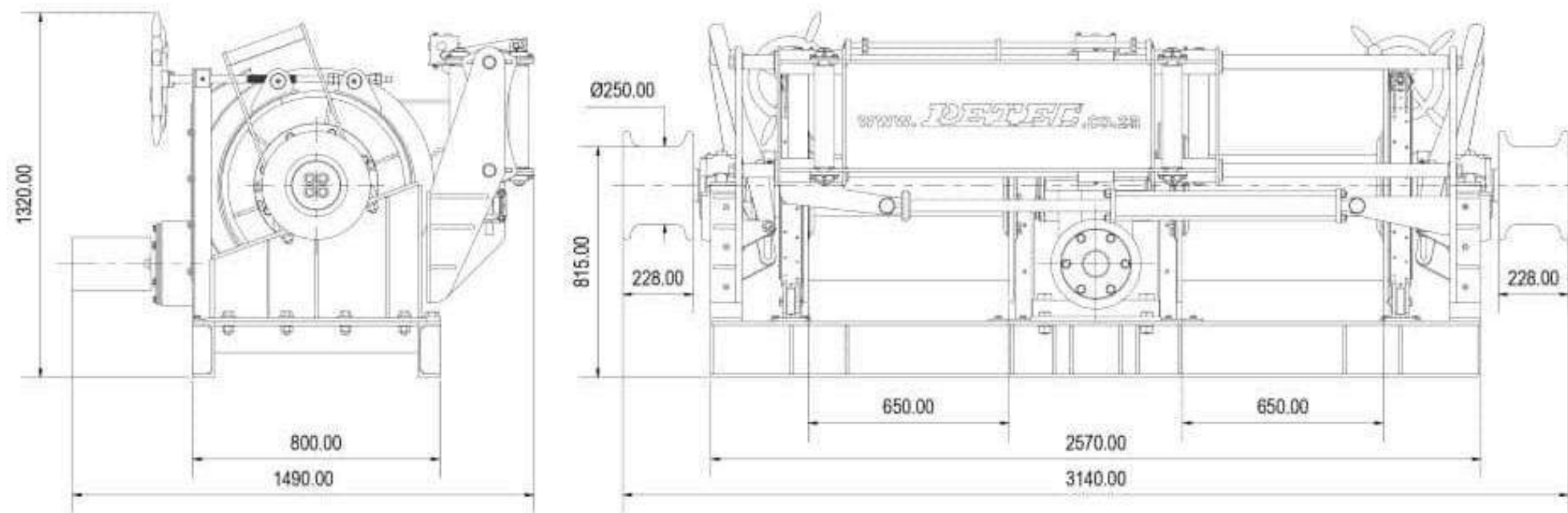
**PETEC**  
MARINE HYDRAULIC ENGINEERS SINCE 1988

# PW-SERIES SPECIFICATIONS

**PW100**

**PW100**

**PETEC**



PW100	
Max Pull:	17tons @ Ø220 (160bar)
Max Pull:	5tons @ Ø800 (160bar)
Line Speed:	25 - 75m/min @ Ø220
Capacity (Main Drum):	775m (19mm cable)
Optional Kaptou Drum:	260m (19mm cable)
Oil Flow:	220 - 290L/min

PW100	
Max Pull:	17tons @ Ø220 (160bar)
Max Pull:	5tons @ Ø800 (160bar)
Line Speed:	25 - 75m/min @ Ø220
Capacity (Main):	775m (19mm cable)
Optional Drum:	260m (19mm cable)
Oil Flow:	220 - 290L/min
Mass:	± 3.6 tons

PETEC Global Marine Solutions |  
Product Catalogue 2025-2026

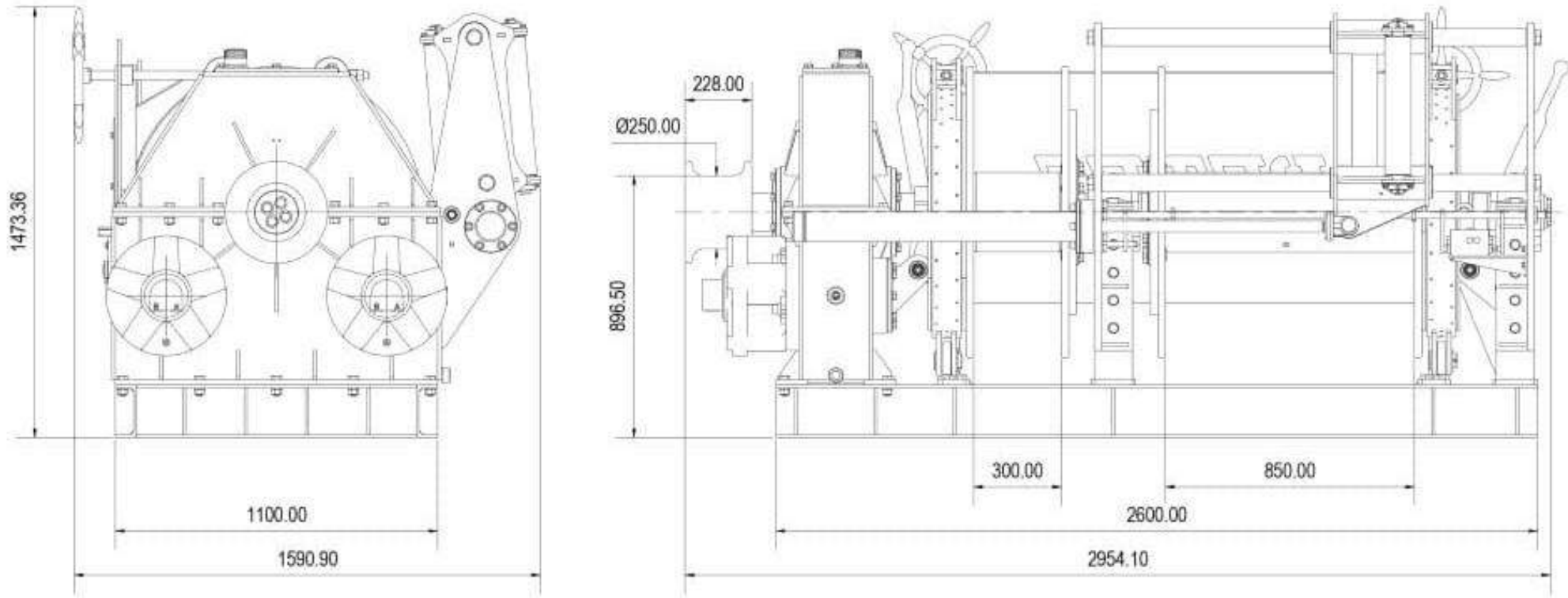
**PETEC**  
MARINE HYDRAULIC ENGINEERS SINCE 1988

# PW-SERIES SPECIFICATIONS

**PW110**

**PW110 (Split Combination)**

**PETEC**



PW110 (Split Combination)	
Max Pull:	27tons @ Ø260 (200bar)
Max Pull:	8tons @ Ø850 (200bar)
Line Speed:	40m/min (Avarage)
Capacity (Main Drum):	1000m (22mm Cable)
Capacity (Auxiliary Drum):	250m (22mm Cable)
Oil Flow:	330L/min

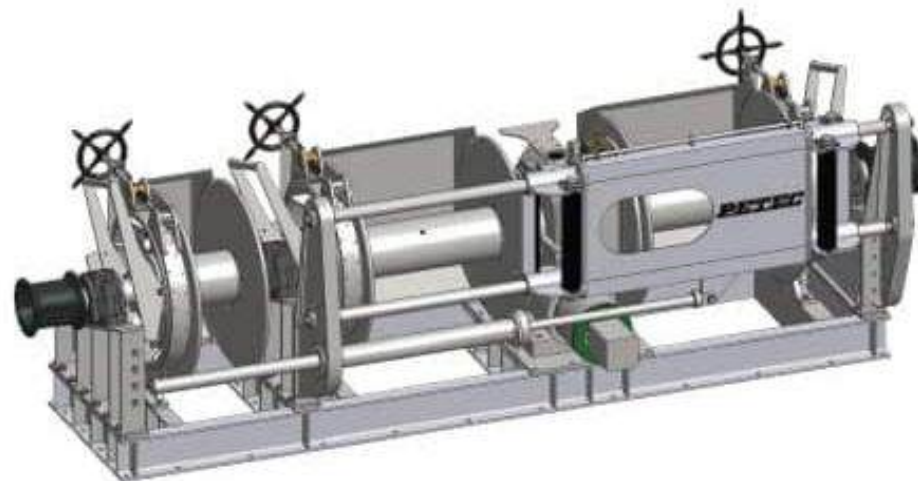
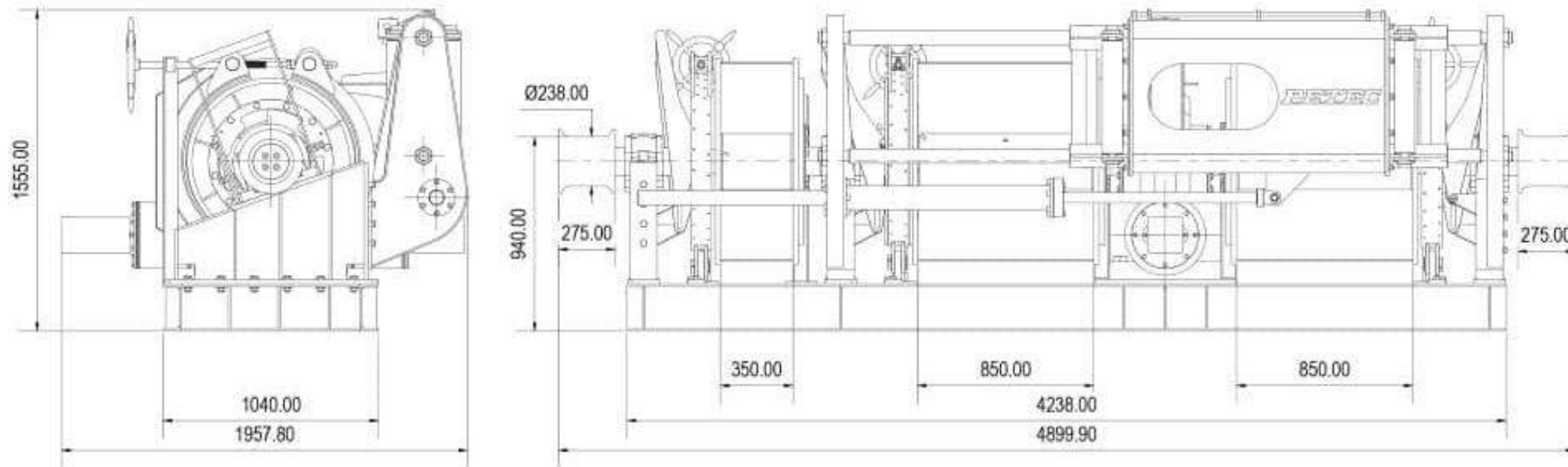
PW110	
Max Pull:	27tons @ Ø260 (200bar)
Max Pull:	8tons @ Ø850 (200bar)
Line Speed:	40m/min (Avarage)
Capacity (Main):	1000m (22mm Cable)
Capacity (Aux):	250m (22mm Cable)
Oil Flow:	330L/min
Mass:	±4tons

# PW-SERIES SPECIFICATIONS

**PW120-3**

## PW120 - 3 Drum

**PETEC**



PW120 - 3 Drum	
Max Pull:	25tons @ Ø220 (160bar)
Max Pull:	8tons @ Ø800 (160bar)
Line Speed:	25 - 75m/min
Capacity (Main Drum):	1000m (22mm rope)
Oil Flow:	350 - 400L/min

PW120 - 3 Drum	
Max Pull:	25tons @ Ø220 (160bar)
Max Pull:	8tons @ Ø800 (160bar)
Line Speed:	25 - 75m/min
Capacity (Main):	1000m (22mm rope)
Oil Flow:	350 - 400L/min
Mass:	±8tons

PETEC Global Marine Solutions |  
Product Catalogue 2025-2026

**PETEC**  
MARINE HYDRAULIC ENGINEERS SINCE 1988



PETEC Global Marine Solutions |  
Product Catalogue 2025-2026

**PETEC**  
MARINE HYDRAULIC ENGINEERS SINCE 1988

## NET HAULER

# 3RNH-SERIES

Introducing our advanced Net Hauler, designed to effectively haul and guide fishing nets, optimising net stacking efficiency. These net haulers ensure minimised strain, wear, and slippage of the net, improving overall fishing operations.

The 3RNH Series Net Haulers feature three powered and synchronized rollers, with an off-centre roller for effective and even net guidance. The head tilt capability reduces deck area requirements and enables precise net alignment for efficient stacking. Marine-grade stainless steel is used for inner and outer net guide plates and roller slip rings, ensuring long-lasting performance.

PETEC Global Marine Solutions |  
Product Catalogue 2025-2026

### BENEFITS:

- Uniform and synchronized net pulling for efficient hauling
- Minimized net slippage and wear with an off-centre roller
- Reduced deck area requirements with head tilt capability
- Long-lasting durability with marine-grade stainless steel components

## NET HAULER

# 3RNH-SERIES FEATURES

- Three synchronised powered rollers
- Off-centre roller for improved net contact
- Tilt function for optimal net alignment and reduced deck area
- Marine-grade stainless steel on net contact surfaces



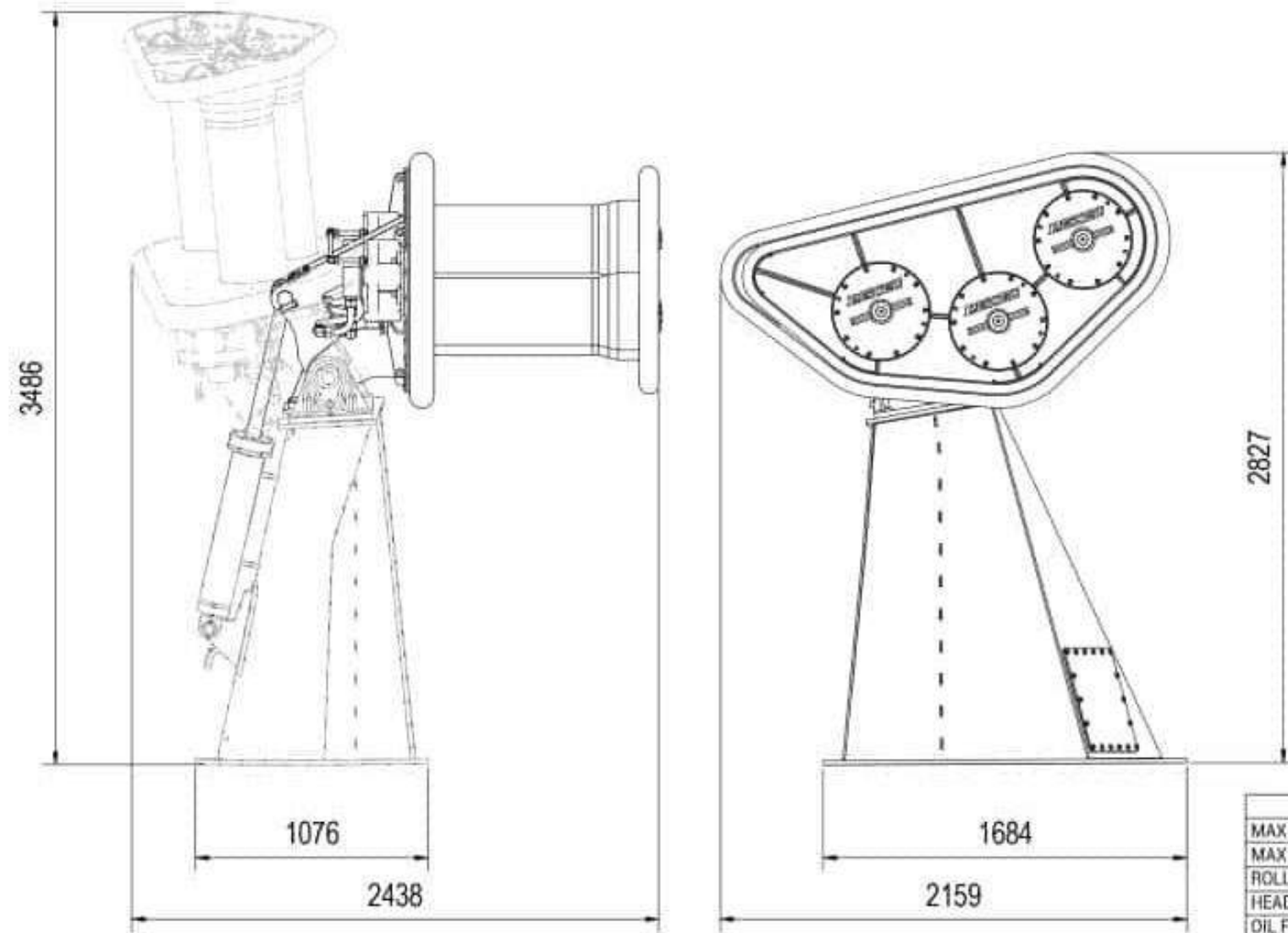
# 3RNH-SERIES SPECIFICATIONS

**3RNH-530-SF2**

## 3RNH-SERIES

Net Hauler 3RNH-530-SF2

**PETEC**  
SERVICES (PTY) LTD



SPECIFICATIONS	
MAX PULL	6.0tons @ Ø315 (160bar)
MAX PULL	7.5tons @ Ø315 (200bar)
ROLLER SPEED	30 - 40rpm
HEAD TILT ANGLE	95°
OIL FLOW	180 - 200L/min
MASS	±3tons

Net Hauler 3RNH-530-SF2

3RNH-530-SF2	
Max Pull:	6.0tons @ Ø315 (160bar)
Max Pull:	7.5tons @ Ø315 (200bar)
Roller Speed:	30 - 40rpm
Head Tilt Angle:	95°
Oil Flow:	180 - 200L/min
Mass:	±3tons

PETEC Global Marine Solutions |  
Product Catalogue 2025-2026

**PETEC**  
MARINE HYDRAULIC ENGINEERS SINCE 1988

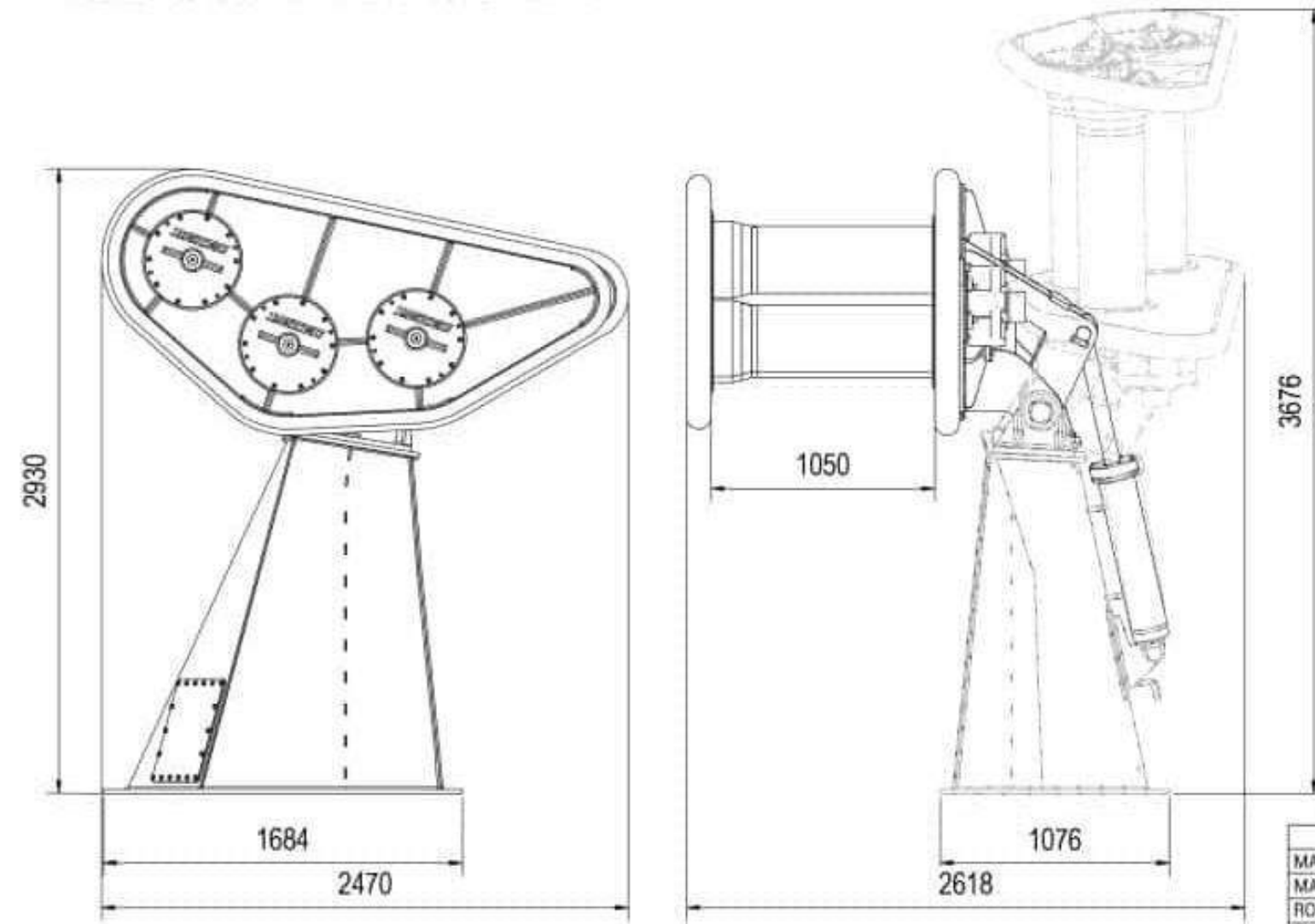
# 3RNH-SERIES SPECIFICATIONS

**3RNH-600-SF2**

## 3RNH-SERIES

Net Hauler 3RNH-600-SF2

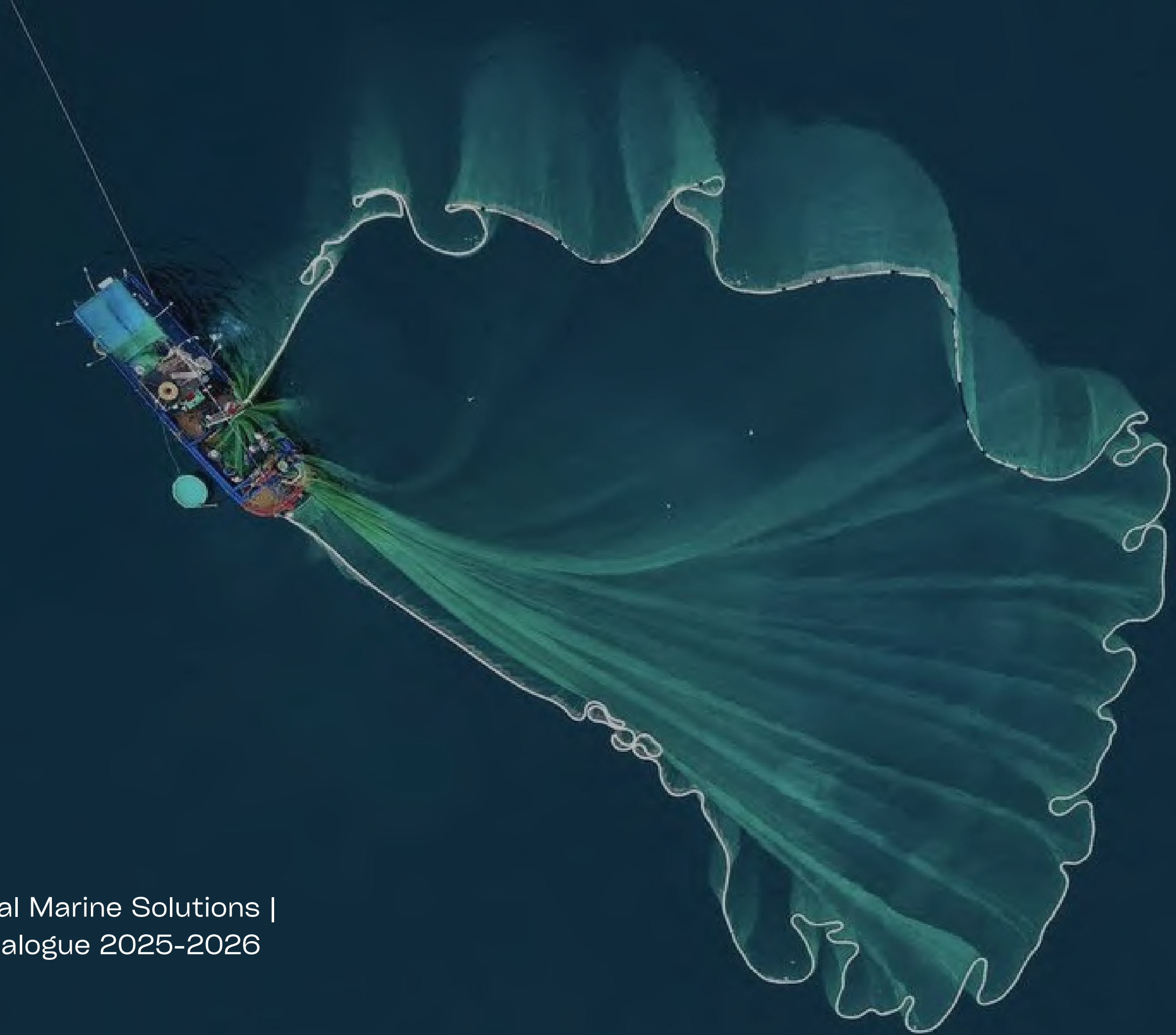
**PETEC**  
SERVICES [PTY] LTD



SPECIFICATIONS	
MAX PULL	9.0tons @ Ø315 (160bar)
MAX PULL	12.0tons @ Ø315 (200bar)
ROLLER SPEED	30 – 40rpm
HEAD TILT ANGLE	95°
OIL FLOW	200 – 250L/min
MASS	±3.5tons

Net Hauler 3RNH-600-SF2

3RNH-600-SF2	
Max Pull:	9.0tons @ Ø315 (160bar)
Max Pull:	12.0tons @ Ø315 (200bar)
Roller Speed:	30 – 40rpm
Head Tilt Angle:	95°
Oil Flow:	200 – 250L/min
Mass:	±3.5tons



PETEC Global Marine Solutions |  
Product Catalogue 2025-2026

**PETEC**  
MARINE HYDRAULIC ENGINEERS SINCE 1988

## NET STACKER

# NS-SERIES

Introducing the NS Series Net Stackers, designed to maximize net-bin coverage and enable efficient stacking. These net stackers offer flexible and precise net path guidance, ensuring smooth operations and minimizing downtime.

The NS Series Net Stackers feature a large slew angle at the base pivot point, high lifting arms, and a slewing action of the head for optimal net alignment and ease of stacking. They can be operated using various control systems, including hydraulics, electric, or remote. Fabricated from marinated carbon steel, they offer a high service life and readily available replacement parts.

PETEC Global Marine Solutions |  
Product Catalogue 2025-2026

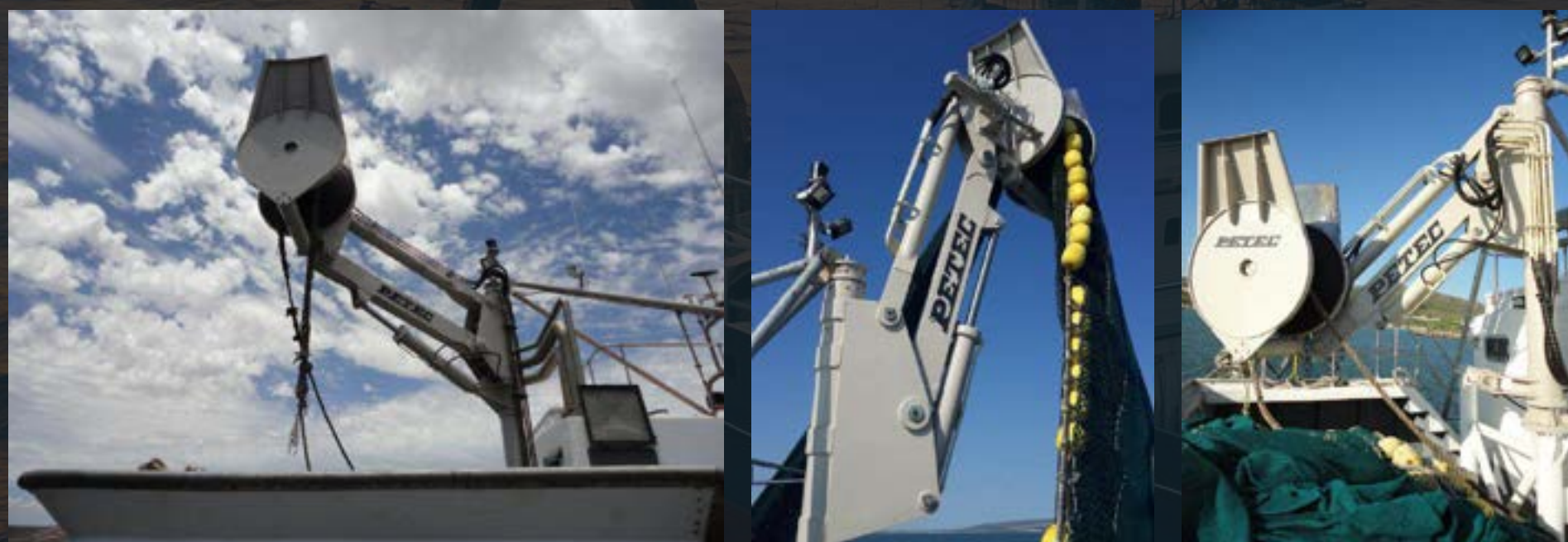
### BENEFITS:

- Maximized net-bin coverage for efficient stacking
- Flexible net path guidance for smooth operations
- Various control options for versatile operation
- High service life and minimized downtime with durable construction and available replacement parts

## NET STACKER

# NS-SERIES FEATURES

- Large slew angle at the base pivot point high-lifting arms for precise net alignment
- Slewing action of the head for ease of stacking
- Compatible with various control systems



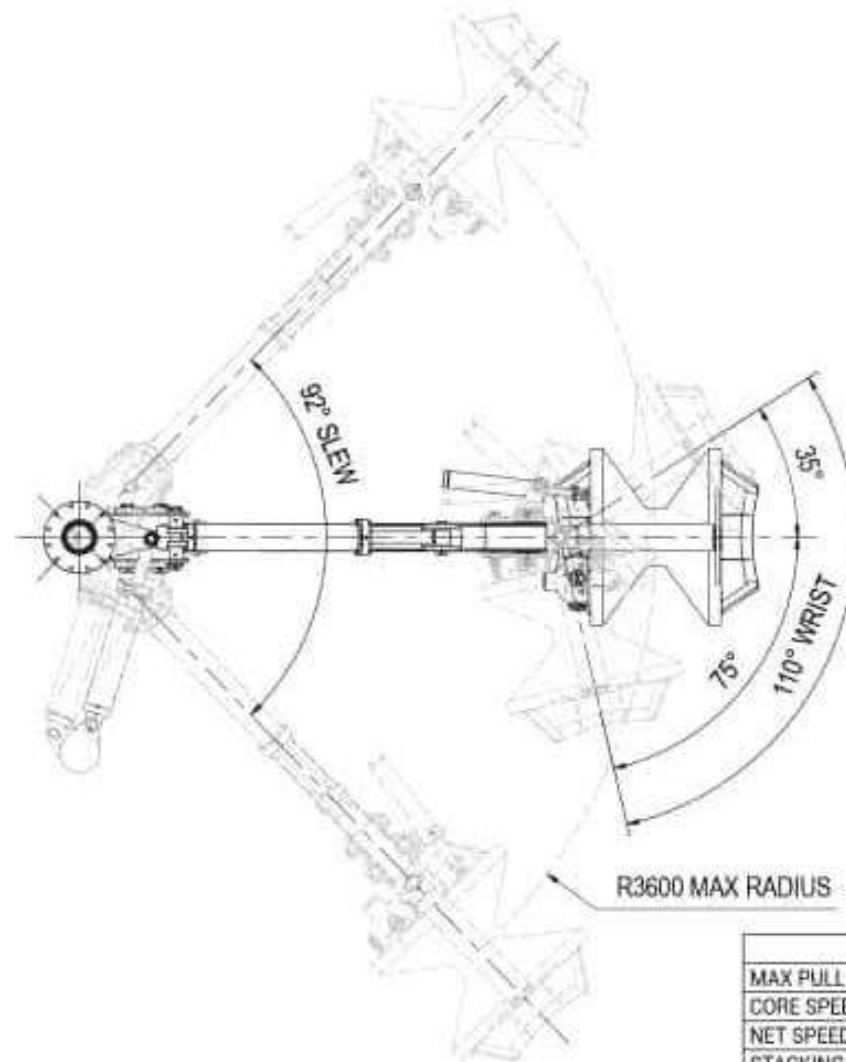
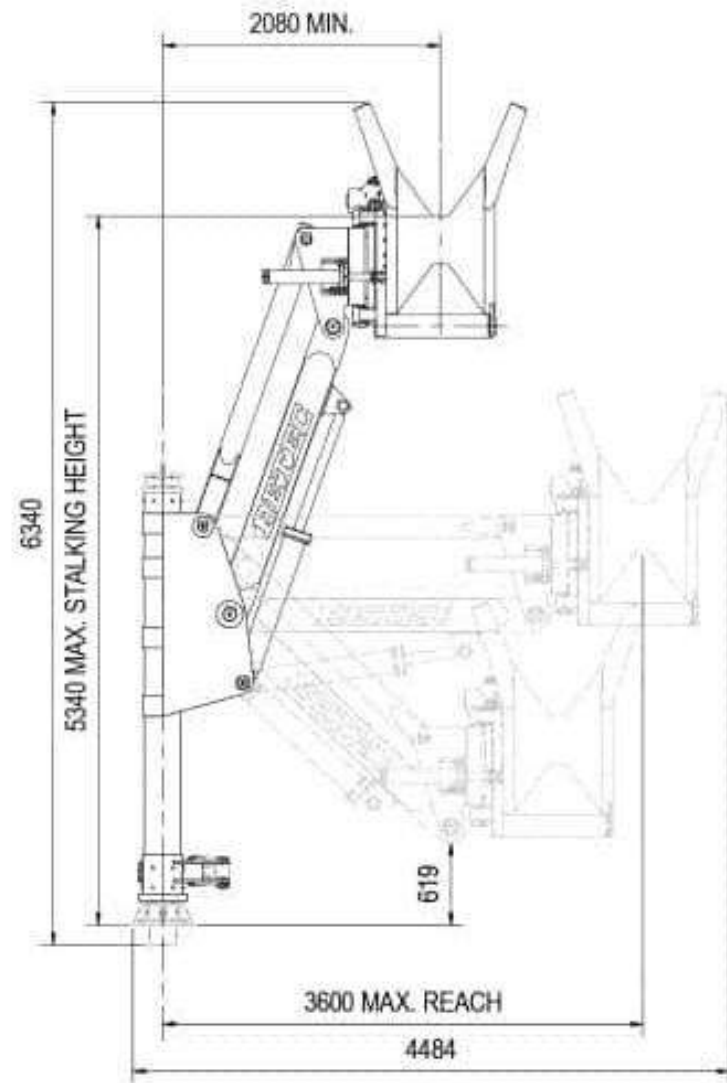
# NS-SERIES SPECIFICATIONS

**NS42-SF**

## NS-SERIES

Net Stacker NS42-F

**PETEC**  
SERVICES [PTY] LTD



SPECIFICATIONS	
MAX PULL	3tons @ Ø500 (150bar)
CORE SPEED	0 - 40rpm
NET SPEED	0 - 68m/min
STACKING RADIUS	2.1m - 3.6m
SLEW ANGLE	110°
SHEAVE HEAD WRIST	110°
MASS	±3.5tons

Net Stacker NS42-F

NS42-SF	
Max Pull:	3tons @ Ø500 (150bar)
Core Speed:	0 - 40rpm
Net Speed:	0 - 68m/min
Stacking Radius:	2.1m - 3.6m
Slew Angle:	110°
Sheave Head Wrist:	110°
Mass:	±3.5tons

PETEC Global Marine Solutions |  
Product Catalogue 2025-2026

**PETEC**  
MARINE HYDRAULIC ENGINEERS SINCE 1988



PETEC Global Marine Solutions |  
Product Catalogue 2025-2026

**PETEC**  
MARINE HYDRAULIC ENGINEERS SINCE 1988

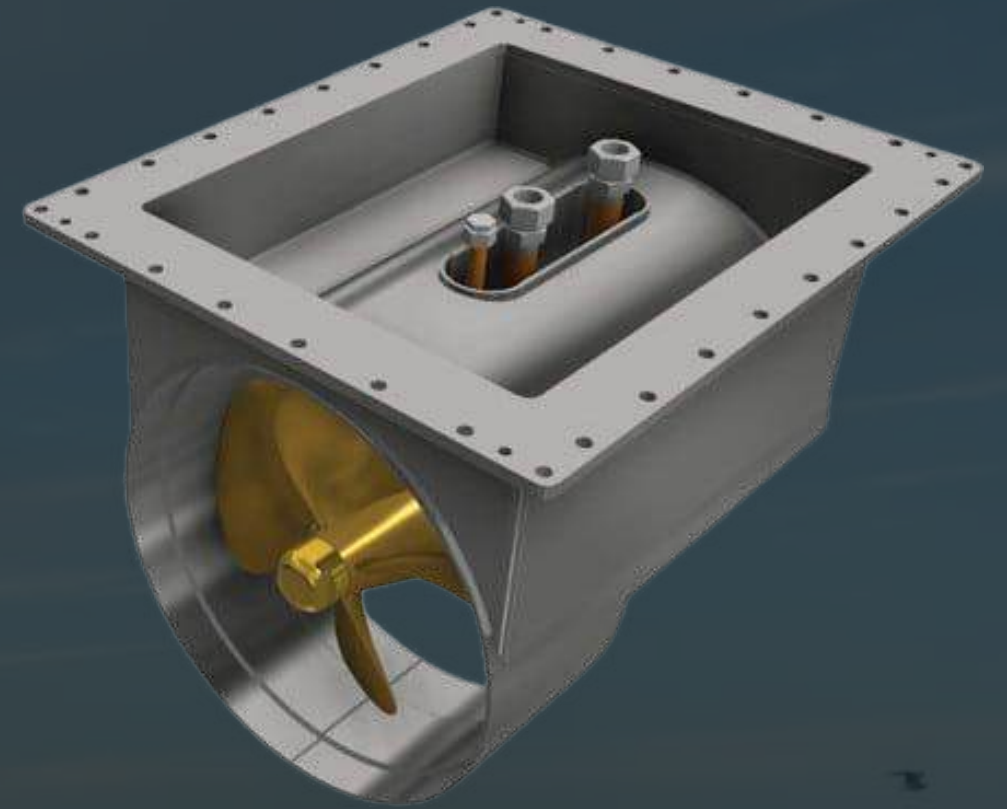
## BOW THRUSTER

# BT-SERIES

Introducing our premium Bow Thruster, a hydraulically driven thruster designed to provide reliable and smooth bi-directional side thrust. This thruster ensures enhanced maneuverability for vessels, especially in challenging marine environments.

The BT Series Bow Thruster features a wear strip around the propeller area, limiting cavitation effects and improving efficiency. The use of superior materials and quality components reduces maintenance requirements and ensures an extended lifetime. It offers easy front and back access to the drive unit for quick repairs and features variable speed control and reversible rotation for accurate vessel manoeuvring.

PETEC Global Marine Solutions |  
Product Catalogue 2025-2026



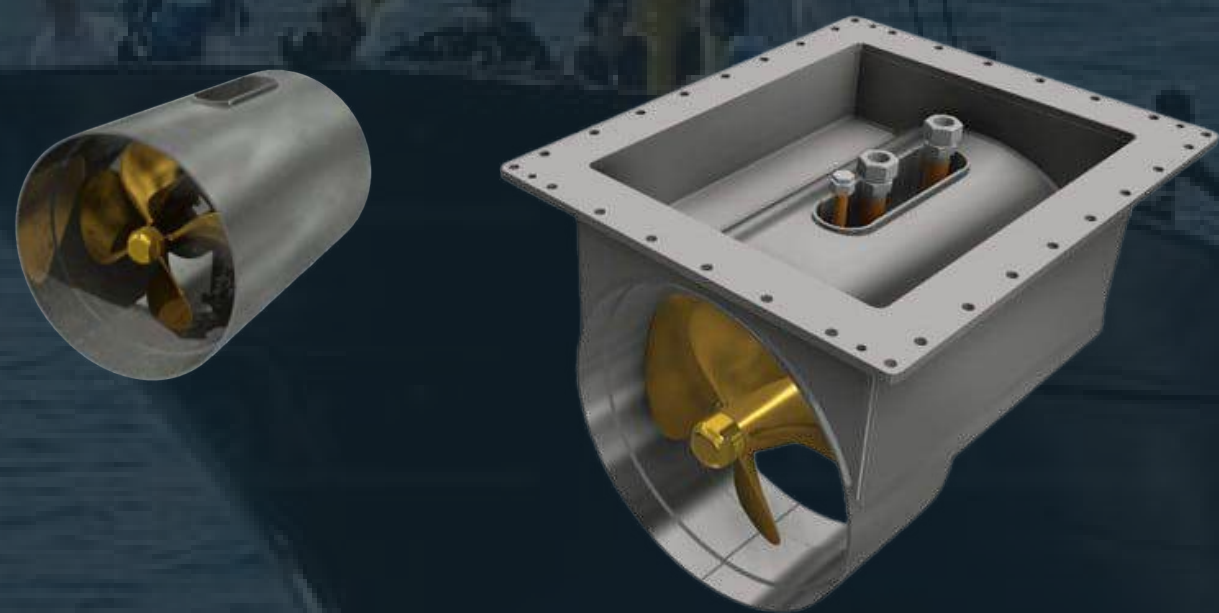
### BENEFITS:

- Reliable and smooth bi-directional side thrust for enhanced manoeuvrability
- Improved efficiency and performance with a wear strip and optimized propeller design
- Reduced maintenance requirements for long-lasting operation
- Quick repairs and minimized downtime with easy access to the drive unit

## BOW THRUSTER

# BT-SERIES FEATURES

- Wear a strip for reduced cavitation effects
- Superior materials and quality components for durability
- Easy front and back access to the drive unit
- Variable speed control and reversible rotation for precise manoeuvring

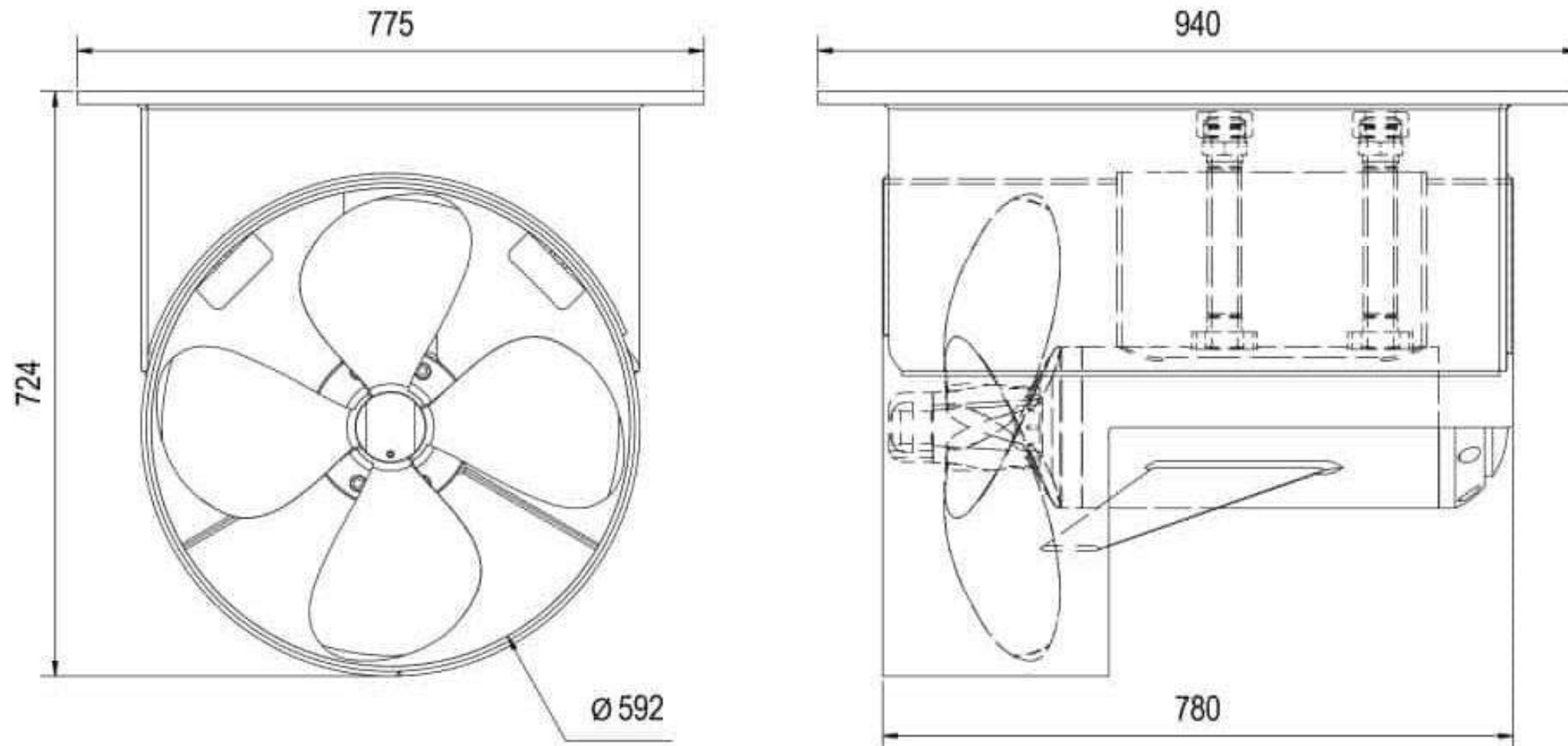


# BT-SERIES SPECIFICATIONS

**BT-110-F**

**BT-110-F**

**PETEC**



BT-110-F
Power:
Propeller:
Tunnel:
Tunnel Length:
Bow Mounting Configuration

BT-110-F	
Power:	
Propeller:	
Tunnel:	
Tunnel Length:	
Bow Mounting Configuration	
Mass:	

PETEC Global Marine Solutions |  
Product Catalogue 2025-2026

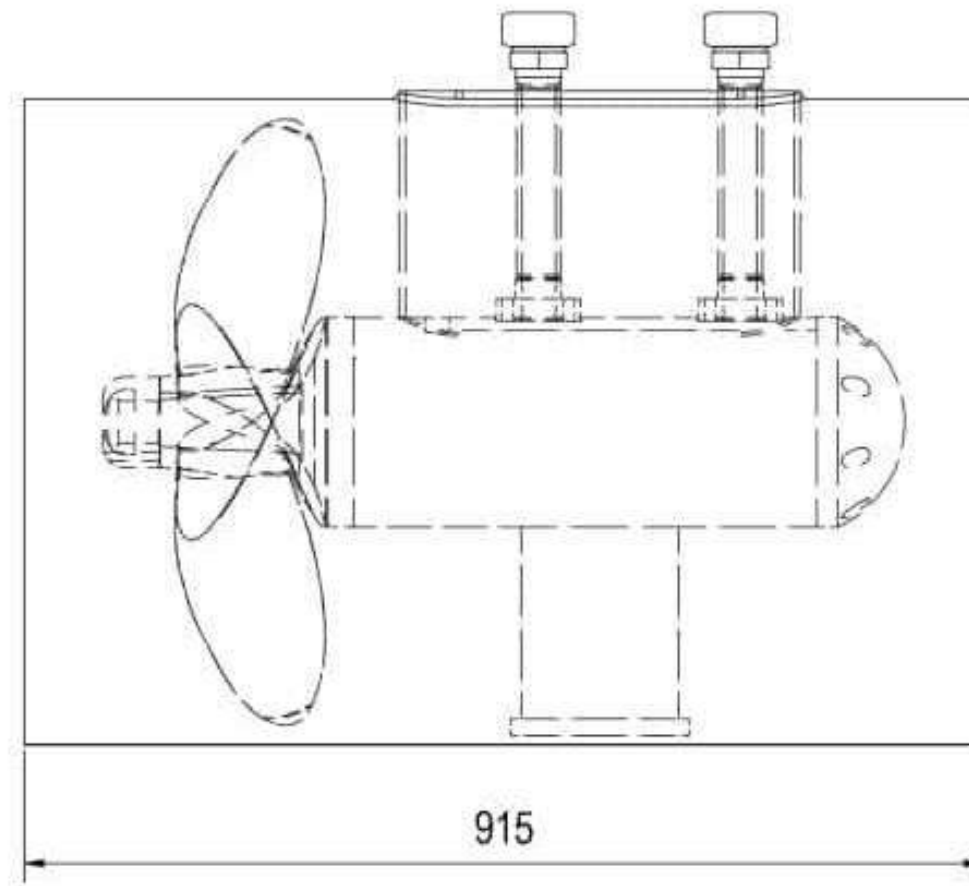
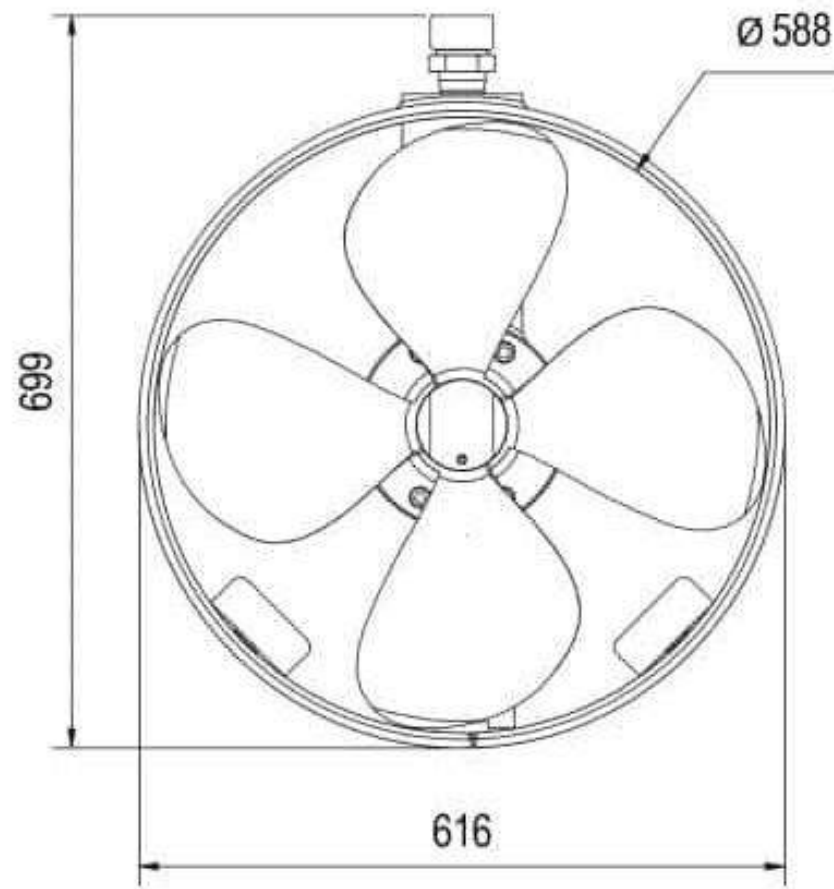
**PETEC**  
MARINE HYDRAULIC ENGINEERS SINCE 1988

# BT-SERIES SPECIFICATIONS

**BT-110-W**

**BT-110-W**

**PETEC**



**BT-110-W**

Power:	110hp
Propeller:	4 Blade Ø23"
Tunnel:	Ø24"
Tunnel Length:	915mm
Bow Mounting Configuration	

<b>BT-110-W</b>	
Power:	110hp
Propeller:	4 Blade Ø23"
Tunnel:	Ø24"
Tunnel Length:	915mm
Bow Mounting Configuration	
Mass:	±300kg



PETEC Global Marine Solutions |  
Product Catalogue 2025-2026

**PETEC**  
MARINE HYDRAULIC ENGINEERS SINCE 1988

## RETRACTABLE STERN THRUSTER

# RST-SERIES

Introducing our premium Retractable Stern Thruster, a hydraulically driven thruster designed for compact vessels requiring reliable and smooth bi-directional side thrust. This thruster offers improved maneuverability and positioning capabilities.

The RST Series Retractable Stern Thruster features a compact design with two compact arms for optimal submersion and rigidity. It offers variable speed control and quickly reversible thrust for precise vessel maneuvering. With superior materials and quality components, it minimizes maintenance requirements and ensures an extended lifetime. Our RST Series will significantly improve a vessel's maneuverability, especially during docking, berthing, or navigating tight spaces.

PETEC Global Marine Solutions |  
Product Catalogue 2025-2026



### BENEFITS:

- Reliable and smooth bi-directional side thrust for improved manoeuvrability
- Optimal submersion and rigidity with a compact design and two compact arms
- Reduced maintenance requirements for prolonged operation
- Precise manoeuvring and positioning with variable speed control and reversible thrust

**PETEC**

MARINE HYDRAULIC ENGINEERS SINCE 1988

## RETRACTABLE STERN THRUSTER

# RST-SERIES FEATURES

- Compact design with two compact arms
- Variable speed control for precise manoeuvring
- Quickly reversible thrust for enhanced positioning
- Superior materials and quality components for durability
- Improves a vessel's maneuverability

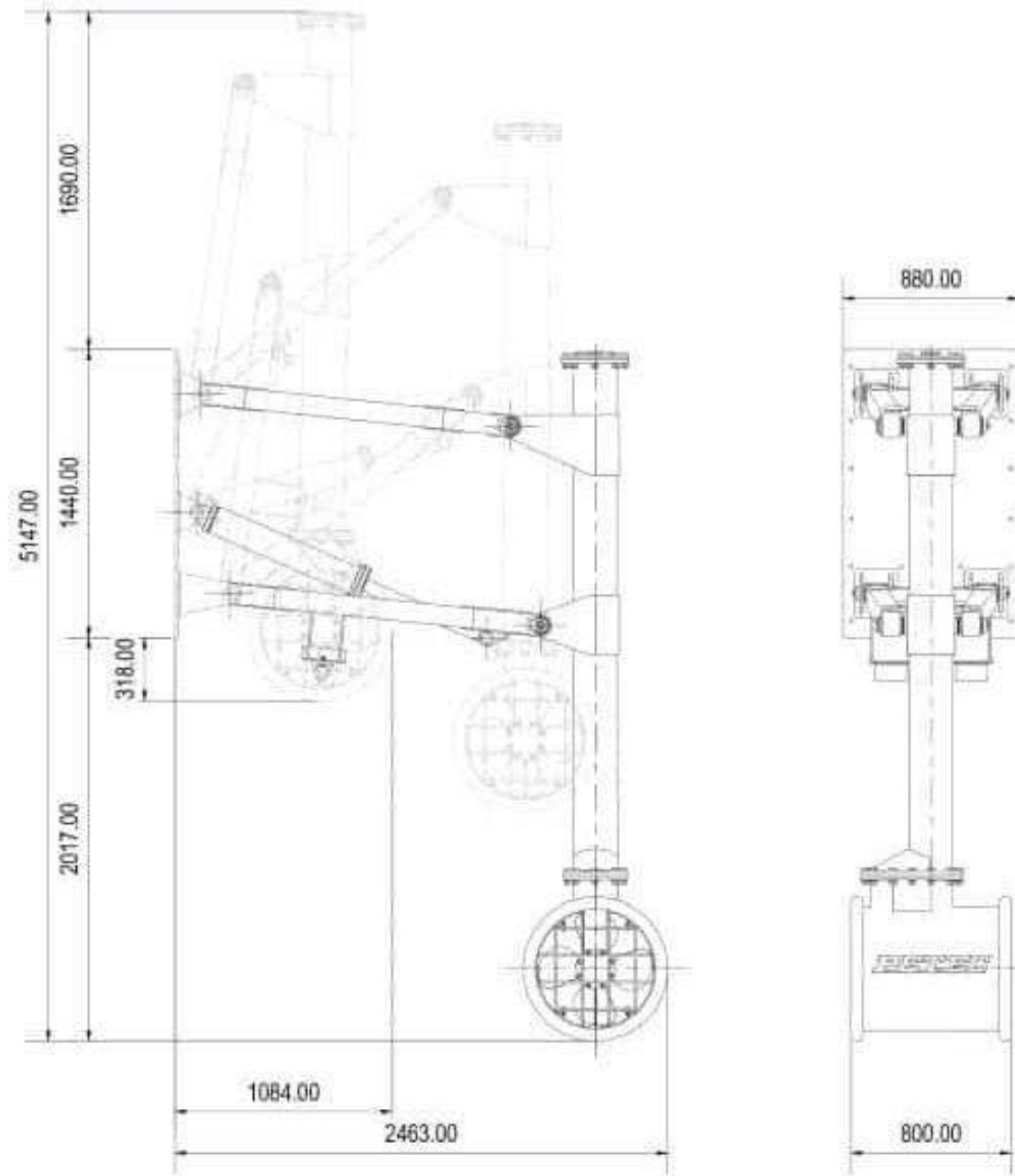


# RST-SERIES SPECIFICATIONS

**RST-110**

**RST-110**

**PETEC**



RST-110	
Power:	110hp
Propeller:	4 Blade Ø23"
Tunnel:	Ø24"
Tunnel Length:	800mm
Stern Mounting Configuration	

RST-110	
Power:	110hp
Propeller:	4 Blade Ø23"
Tunnel:	Ø24"
Tunnel Length:	800mm
Stern Mounting Configuration	
Mass:	±1.2tons

PETEC Global Marine Solutions |  
Product Catalogue 2025-2026

**PETEC**  
MARINE HYDRAULIC ENGINEERS SINCE 1988



PETEC Global Marine Solutions |  
Product Catalogue 2025-2026

**PETEC**  
MARINE HYDRAULIC ENGINEERS SINCE 1988

## SNATCH BLOCK

# SB-SERIES

Since 1988, Petec has led marine and industrial engineering, delivering reliable equipment for demanding environments. The Petec 20-Ton Snatch Block, specifically designed for the commercial fishing industry, combines exceptional durability with functionality. Proudly manufactured in South Africa, it provides the reliability and safety essential for trawlers operating in challenging marine conditions. With a legacy spanning over 35 years, Petec is a trusted partner across industries such as marine, construction, mining, and recovery operations.

## BENEFITS:

### DURABILITY FOR MARINE CONDITIONS

- **Premium Materials:** Fabricated from high-strength steel and treated with marine-grade anti-corrosion coating, designed to withstand harsh sea conditions.
- **Longevity:** Sealed bearings and protective finishes ensure long service life, even in abrasive environments.

### PROVEN SAFETY

- **Certified Testing:** Each snatch block undergoes rigorous testing to ensure compliance with DNV standards, meeting the high demands required for use at sea.
- **Safety Compliance:** Certified by a qualified inspector, ensuring safety for critical onboard lifting and towing tasks.

### EFFICIENCY AND COST-EFFECTIVENESS

- **Affordable Quality:** Priced at \$4,928 each (including 10% increase), providing great value without compromising performance.
- **Operational Efficiency:** Quick setup and low maintenance requirements help maximize productivity—key for commercial vessels where uptime is crucial.

PETEC Global Marine Solutions |  
Product Catalogue 2025-2026



**PETEC**  
MARINE HYDRAULIC ENGINEERS SINCE 1988

## SNATCH BLOCK

# SB-SERIES FEATURES

### HEAVY-DUTY LOAD HANDLING

- SWL: Rated at 20 tons, ideal for towing heavy nets, gear, and other equipment.
- Load on Eye: 40 tons, offering extra strength when needed.
- Overload Capacity: Tested up to 50 tons (25% overload) to ensure dependability even under high strain.

### PRECISION ENGINEERING

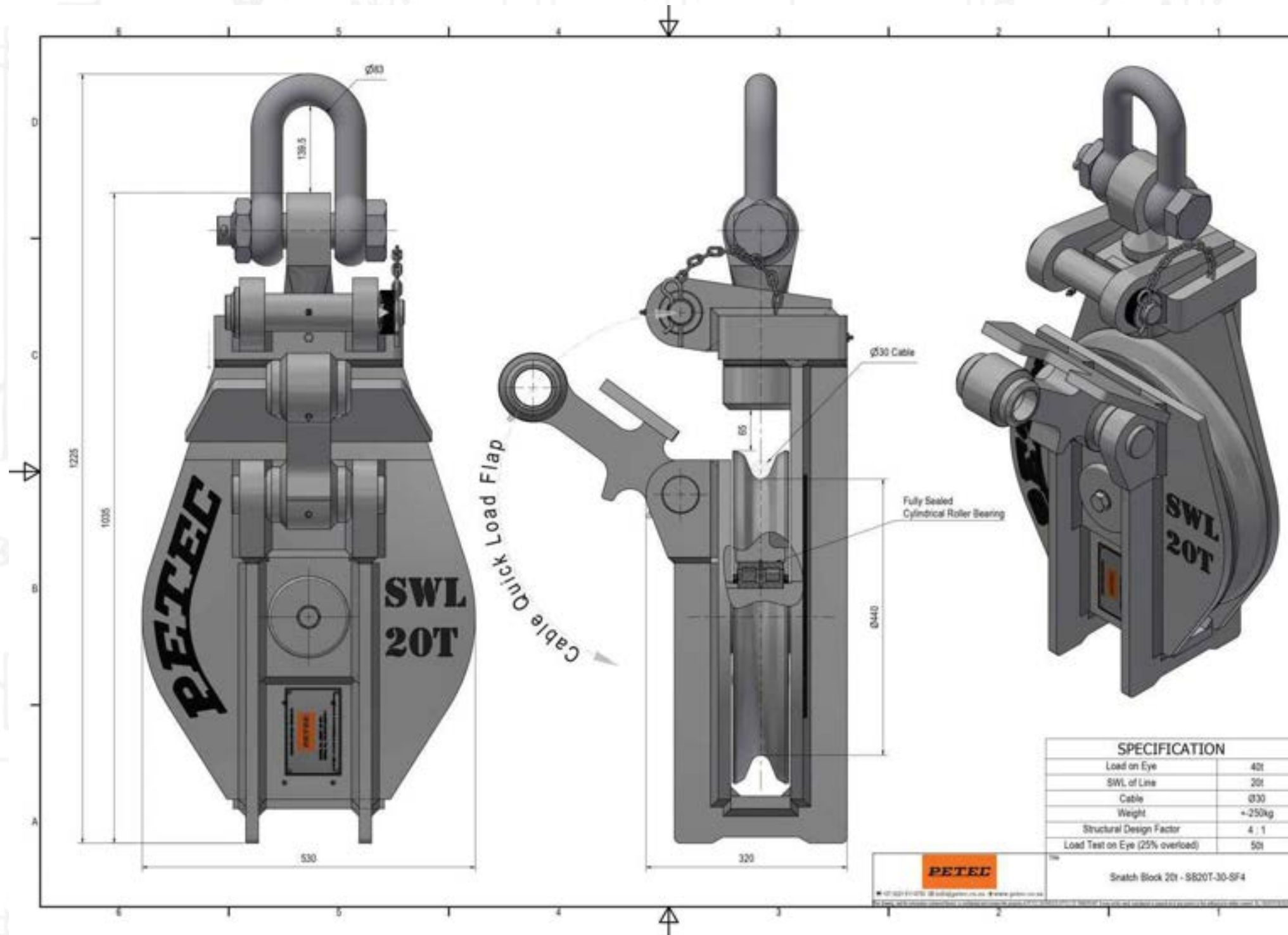
- Safety Factor: A 4:1 safety ratio ensures secure operation, even under challenging marine conditions.
- Sealed Bearings: Equipped with fully sealed cylindrical roller bearings for smooth performance and minimal maintenance.
- Corrosion Resistance: Constructed from high-strength steel with protective coating to combat corrosion from saltwater exposure.

### OPTIMIZED DESIGN FOR ONBOARD USE

- Cable Compatibility: Designed for cables up to Ø30 mm, offering versatility for different rigging needs.
- Quick-Load Flap System: Streamlines cable placement, minimizing setup time—essential for quick handling in rough seas.
- Compact Form: With a body diameter of Ø530 mm and width of 320 mm, this snatch block is sturdy yet compact, perfect for the limited spaces on trawlers.

# SB-SERIES SPECIFICATIONS

**SB20T-30-SF4**



Feature	Specification
SWL	20 Tons
Load on Eye	40 Tons
Maximum Test Load	50 Tons
Cable Diameter	Ø30 mm
Weight	~250 kg
Dimensions	Ø530 mm (Diameter), 320 mm (Width)
Bearing Type	Sealed Cylindrical Roller Bearings
Safety Factor	4:1
Finish	Corrosion-Resistant Coating
Temperature Range	-20°C to +50°C
Material	High-Strength Steel

PETEC Global Marine Solutions |  
Product Catalogue 2025-2026

**PETEC**  
MARINE HYDRAULIC ENGINEERS SINCE 1988



PETEC Global Marine Solutions |  
Product Catalogue 2025-2026

**PETEC**  
MARINE HYDRAULIC ENGINEERS SINCE 1988

## SAMPLING CRANE

# SP SAMPLING CRANE

Introducing our SP Sampling Crane, specifically designed for seabed sampling operations. This compact crane offers flawless spooling of cables, ensuring efficient and accurate sampling. It features a self-contained hydraulic power pack, providing reliable and consistent power supply.

The SP Sampling Crane incorporates an effective funnel system with a gate cylinder, ensuring precise sample collection. Its robust structure guarantees durability and long-lasting performance, even in demanding marine environments. Additionally, an optional sheave swivel mechanism counteracts rough sea conditions, providing enhanced stability and safety during operations. We offer full customization options to meet your specific requirements, ensuring optimal performance and seamless integration into your vessel's operations.

PETEC Global Solutions |  
Corporate Profile 2025

### **BENEFITS:**

- Flawless spooling of cables for efficient and accurate seabed sampling
- Reliable and consistent hydraulic power supply for uninterrupted operation
- Convenient operation with an electric starter box and floodlights
- Enhanced stability and safety with optional sheave swivel mechanism
- Customizable design for seamless integration into vessel operations



## SAMPLING CRANE

# SP SAMPLING CRANE FEATURES

- Compact winch and scroll shaft for flawless cable spooling
- Self-contained hydraulic power pack for reliable operation
- Electric starter box and floodlights for convenient operation in low-light conditions
- Effective funnel system with gate cylinder for precise sample collection
- Optional sheave swivel mechanism for enhanced stability and safety



PETEC Global Marine Solutions |  
Product Catalogue 2025-2026

**PETEC**  
MARINE HYDRAULIC ENGINEERS SINCE 1988



PETEC Global Marine Solutions |  
Product Catalogue 2025-2026

**PETEC**  
MARINE HYDRAULIC ENGINEERS SINCE 1988

## LIFE BOAT DAVIT

# SP LIFE BOAT DAVIT

Safety is paramount, and our SP Life Boat Davit is designed to provide a reliable and manual operation solution in the event of a power outage. This davit ensures smooth and controlled lifting and lowering of lifeboats with its compact winch, superior gearbox, and hydraulic motor.

It features an integrated hydraulic tank and hand pump, enabling manual operation with ease. Built with a durable slew bearing and hand crank, Davitavit offers reliable performance even in challenging conditions.

The SP Life Boat Davit features a quick-release handle and a wide variety of lifting hooks, providing versatility to meet your specific vessel requirements. We understand the importance of customization, and our davit can be tailored to suit any vessel type or size. With a focus on durability, reliability, and ease of use, our SP Life Boat Davit is your trusted solution for emergency lifeboat operations.

PETEC Global Marine Solutions |  
Product Catalogue 2025-2026

### BENEFITS:

- Reliable and controlled lifting and lowering of lifeboats during power outages
- Manual operation capability in emergency situations
- Ensures durability and performance in challenging marine conditions
- Versatile lifting hooks to meet specific vessel requirements



LIFE BOAT DAVIT

# SP LIFE BOAT DAVIT FEATURES

- Compact winch with superior gearbox and hydraulic motor
- Integrated hydraulic tank and hand pump for manual operation
- Durable slew bearing and hand crank for reliable performance
- Wide variety of lifting hooks for versatility

PETEC Global Marine Solutions |  
Product Catalogue 2025-2026

**PETEC**  
MARINE HYDRAULIC ENGINEERS SINCE 1988



PETEC Global Marine Solutions |  
Product Catalogue 2025-2026

**PETEC**  
MARINE HYDRAULIC ENGINEERS SINCE 1988

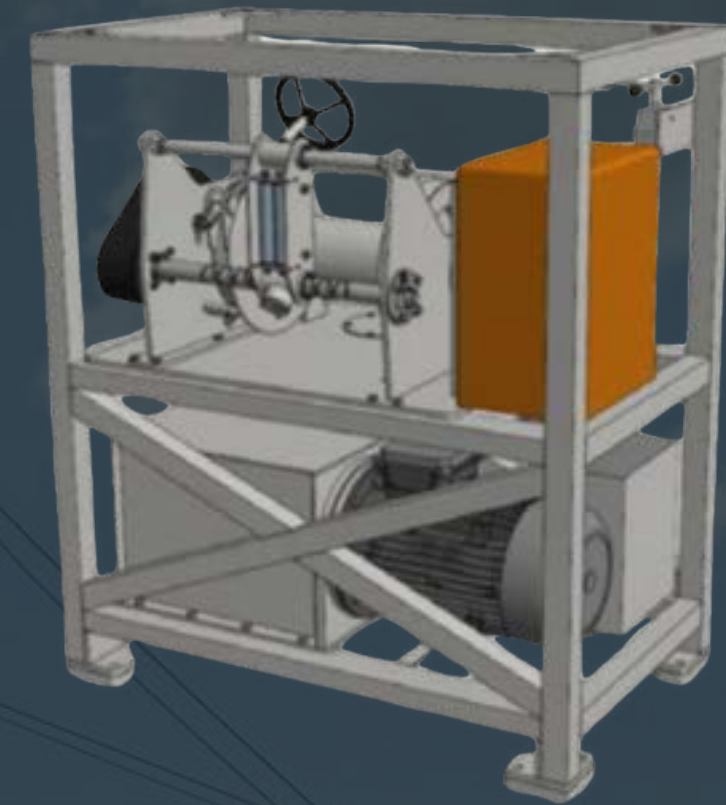
## SAMPLING WINCH

# SP SAMPLING WINCH

Our SP Sampling Winch is designed to handle multi-purpose cables with precision and efficiency. It is equipped with a self-contained power pack and oil cooler, ensuring consistent performance and preventing overheating during prolonged operations.

The winch is fitted with spring gear and a clutchable drum for easy cable management and controlled payout. With a manual brake system, operators have full control over the winch's operation and can safely halt the cable movement when required.

The SP Sampling Winch is housed within a protective steel frame, safeguarding the internal components from external elements and providing structural integrity. This winch is fully customizable to meet your specific requirements, ensuring seamless integration into your marine operations and reliable performance in every sampling task.



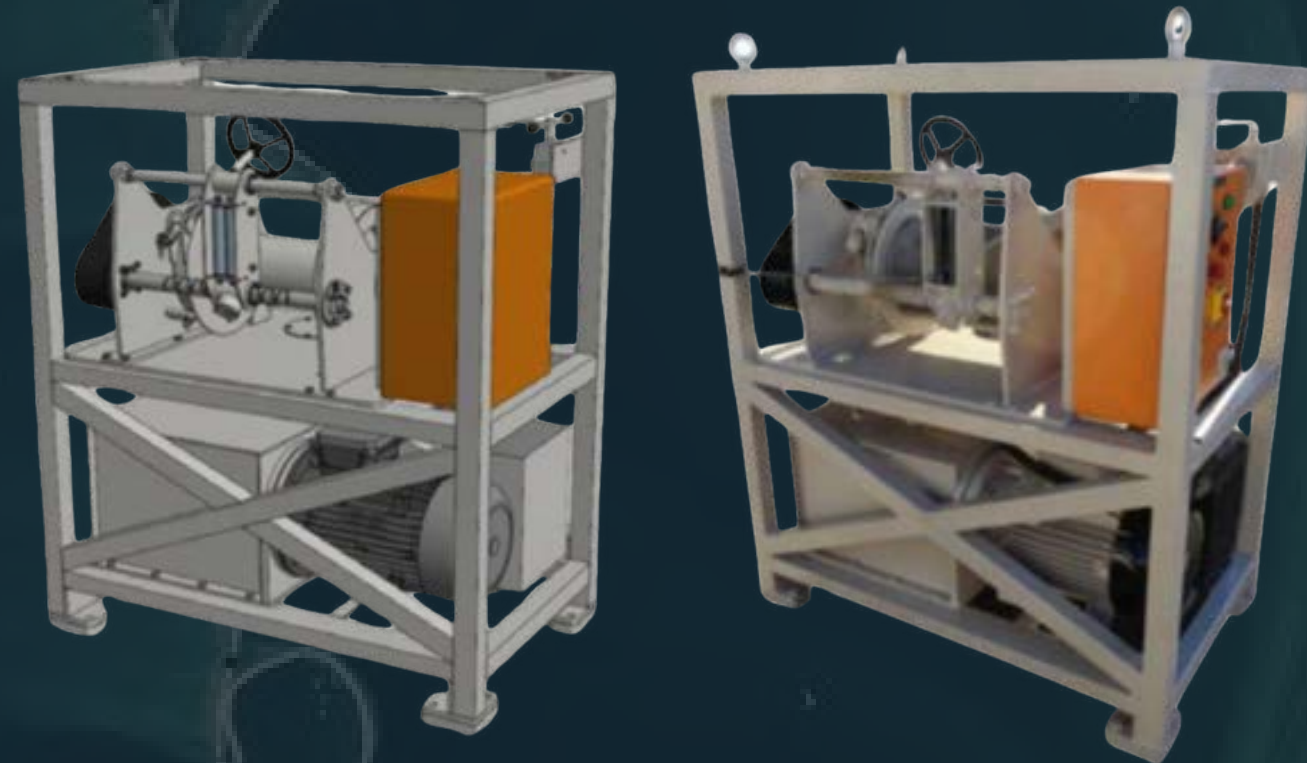
### BENEFITS:

- Efficient and reliable handling of multi-purpose cables
- Prevents overheating and ensures continuous performance
- Allows controlled payout and halting of cable movement for safety
- Protects internal components and ensures long-lasting performance

## SAMPLING WINCH

# SP SAMPLING WINCH FEATURES

- Self-contained power pack and oil cooler for consistent performance
- Spooling gear and clutch cable drum for easy cable management
- Manual brake system for full control over cable movement
- Protective steel frame for durability and structural integrity





PETEC Global Marine Solutions |  
Product Catalogue 2025-2026

**PETEC**  
MARINE HYDRAULIC ENGINEERS SINCE 1938

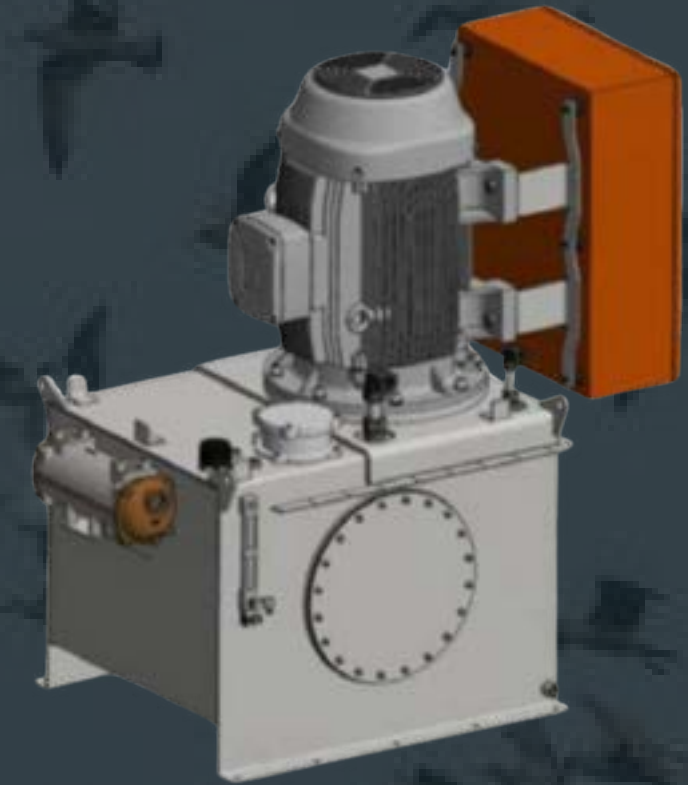
## HYDRAULIC POWER UNITS

# SP HYDRAULIC POWER UNITS

At Petec, we understand the diverse requirements of hydraulic power units in the marine industry. That's why our SP Hydraulic Power Units are custom-built to suit your specific needs.

Equipped with an integrated oil cooler, electric starter box, and a superior electric motor, our power units deliver consistent and reliable hydraulic power. They are designed to handle demanding marine applications and ensure the efficient operation of hydraulic systems on your vessel. Our SP Hydraulic Power Units are equipped with a premium quality filter, ensuring clean and contaminant-free hydraulic fluid. For added protection and durability, an optional protective cover is available. With our custom-built approach, we can tailor the power unit to your vessel's specifications and ensure seamless integration into your hydraulic system.

PETEC Global Marine Solutions |  
Product Catalogue 2025-2026



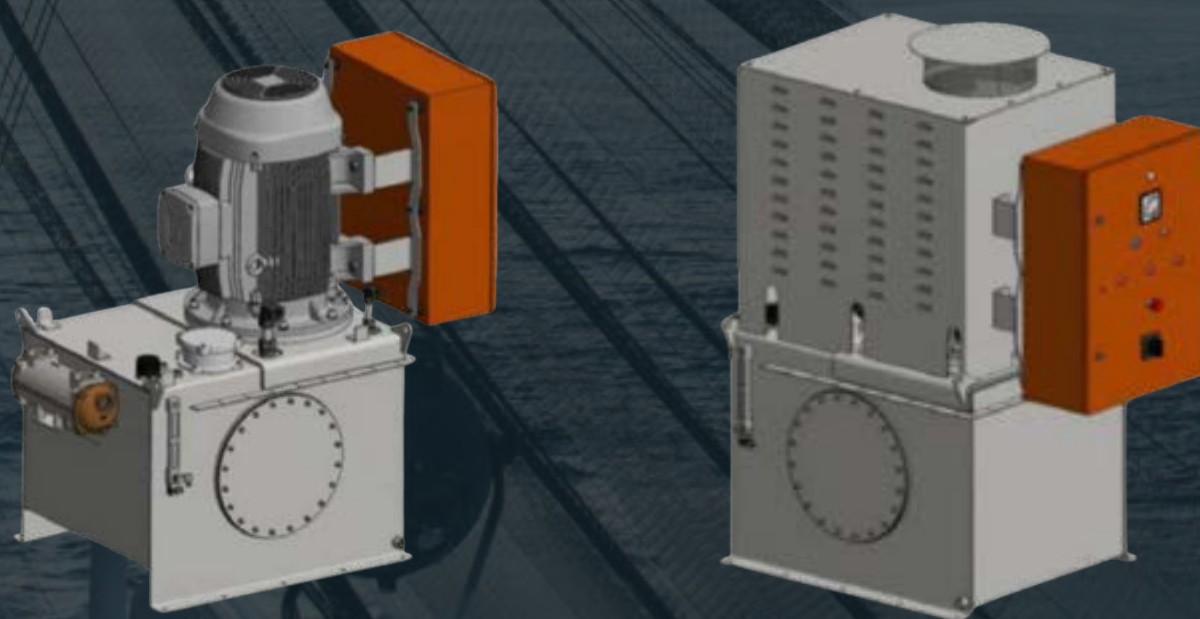
### BENEFITS:

- Tailored to meet specific vessel hydraulic system requirements
- Efficient temperature control and prevention of overheating
- Reliable and consistent power supply for hydraulic systems
- Clean hydraulic fluid, prolonging component lifespan and reducing maintenance needs

HYDRAULIC POWER UNITS

# SP HYDRAULIC POWER UNITS FEATURES

- Integrated oil cooler for optimal temperature regulation
- Electric starter box and superior electric motor for reliable power supply
- Premium quality filter for clean and contaminant-free hydraulic fluid
- Optional protective cover for added protection and durability



PETEC Global Marine Solutions |  
Product Catalogue 2025-2026

**PETEC**  
MARINE HYDRAULIC ENGINEERS SINCE 1988



PETEC Global Marine Solutions |  
Product Catalogue 2025-2026

**PETEC**  
MARINE HYDRAULIC ENGINEERS SINCE 1988

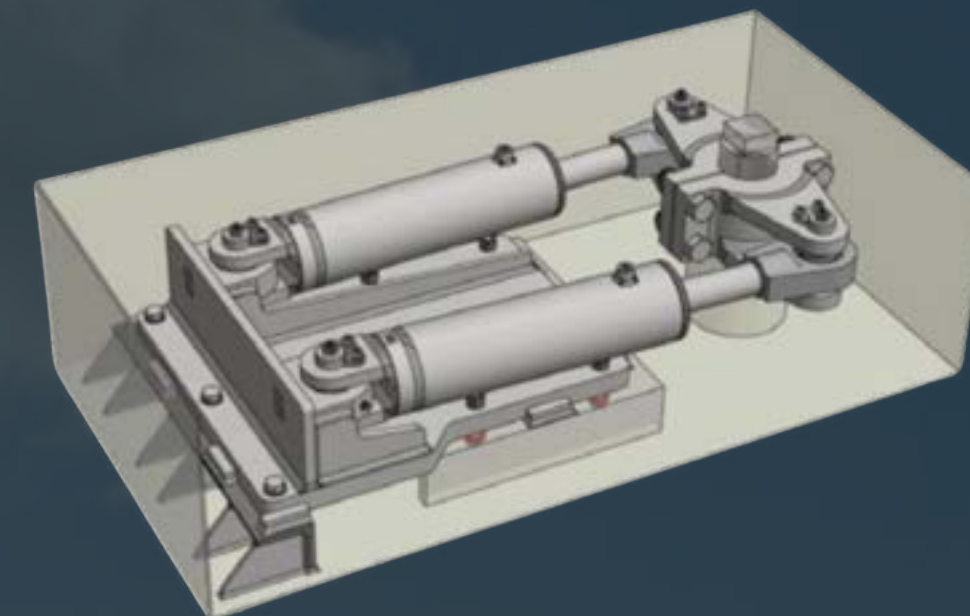
## HYDRAULIC STEERING SYSTEMS

# SP HYDRAULIC STEERING SYSTEMS

Steering is a critical aspect of vessel operation, and our SP Hydraulic Steering Systems are designed for optimum performance and reliability. Whether you require a light or heavy-duty system, we have the solution for you. Our systems are robust, compact, and easy to install, providing precise control and manoeuvrability for your vessel.

We understand that each vessel has unique requirements, which is why our hydraulic steering systems can be customized to meet your specific needs. We offer optional electronic feedback equipment, providing real-time data and enhancing the steering experience. With Petec's SP Hydraulic Steering Systems, you can navigate with confidence, knowing that you have a reliable and efficient steering solution onboard.

PETEC Global Marine Solutions |  
Product Catalogue 2025-2026



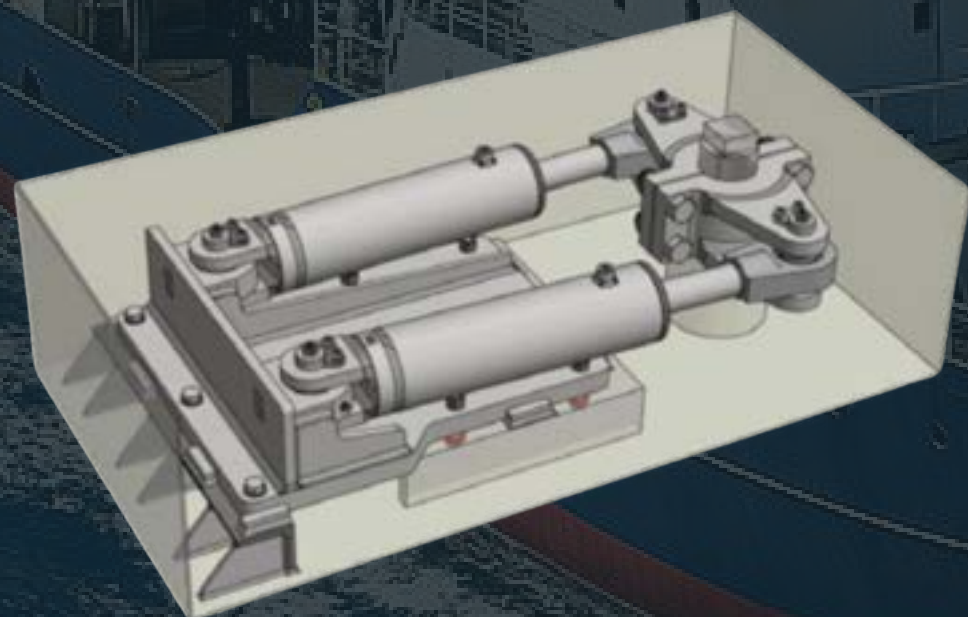
### BENEFITS:

- Provides precise control and manoeuvrability in vessel steering
- Suitable for different vessel types and operational requirements
- Easy installation and integration into existing steering systems
- Enhances steering experience with real-time data and improved control

## HYDRAULIC STEERING SYSTEMS

# SP HYDRAULIC STEERING SYSTEMS FEATURES

- Robust and compact design for easy installation
- Optional electronic feedback equipment for enhanced steering experience





PETEC Global Marine Solutions |  
Product Catalogue 2025-2026

**PETEC**  
MARINE HYDRAULIC ENGINEERS SINCE 1988

## LONG LINE HAULER

# SP LONG LINE HAULER

Efficiency and ease of operation are paramount in long-line fishing, and our SP Long Line Hauler is designed with these principles in mind. It features an easily removable 17" sheave, enabling swift and hassle-free line handling. The adjustable spring-loaded knockout tongue ensures automatic line and hook removal, streamlining the process and reducing downtime.

Built with marine-grade stainless steel on all fish contact surfaces, our long-line hauler guarantees durability and longevity, even in harsh marine conditions. The spray/hook protection canopy offers added safety and protect the crew during operations. Equipped with line guide rollers and a superior hydraulic motor, the hauler ensures smooth and efficient line retrieval. Trust Petec's SP Long Line Hauler for a reliable and high-performance solution for your long-line fishing operations.

### BENEFITS:

- Streamlines long-line fishing operations with quick and effortless line handling
- Reduces downtime by automating line and hook removal processes
- Ensures longevity and resistance to corrosion in marine environments
- Enhances safety measures and protects crew during operations



## LONG LINE HAULER

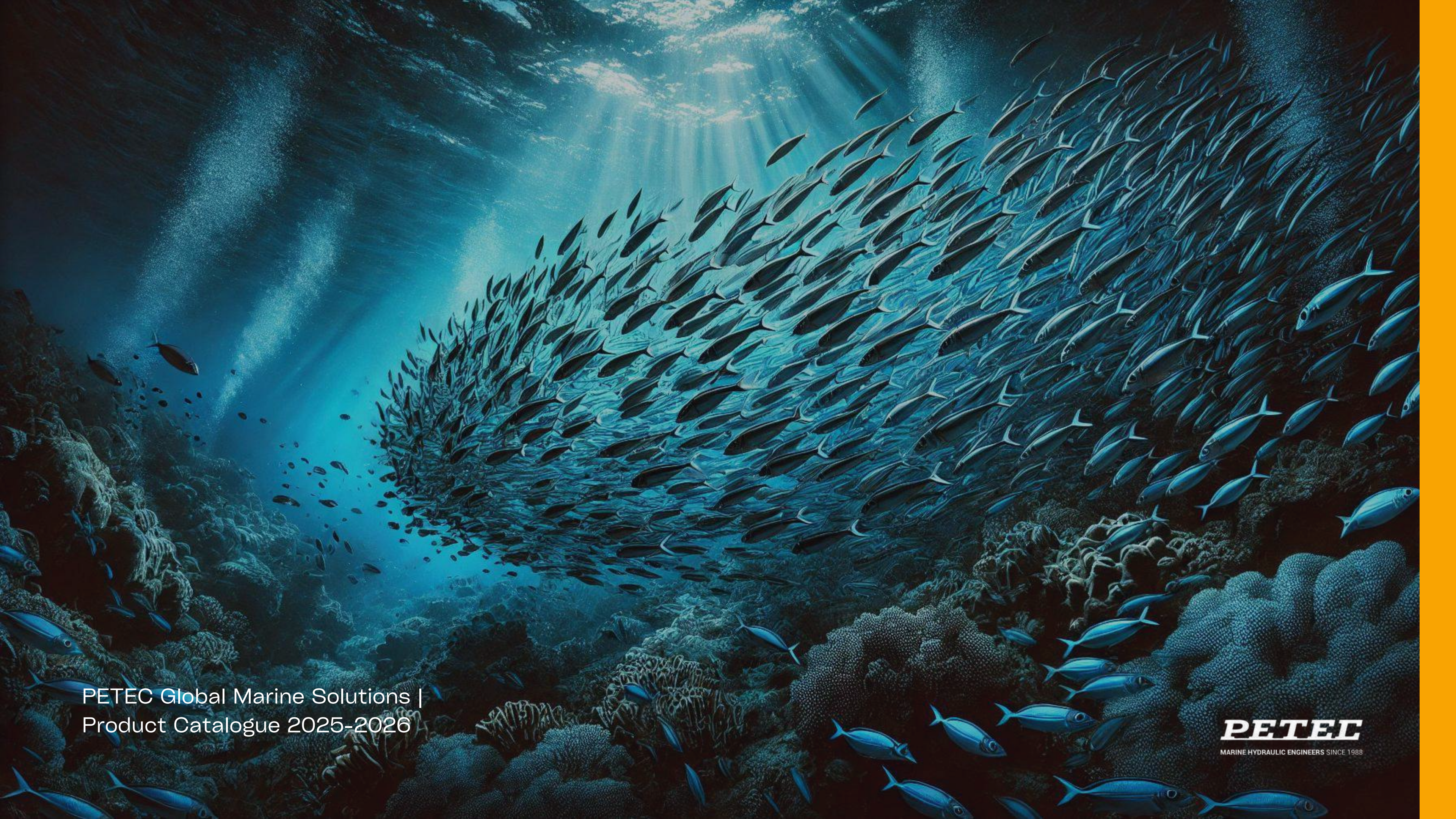
# SP LONG LINE HAULER FEATURES

- Easily removable 17" sheave for swift line handling
- Adjustable spring-loaded, knockout tongue for automatic line and hook removal
- Marine-grade stainless steel on fish contact surfaces for durability
- Spray/hook protection canopy for safety and crew protection
- Line guide rollers and superior hydraulic motor for smooth and efficient line retrieval



PETEC Global Marine Solutions |  
Product Catalogue 2025-2026

**PETEC**  
MARINE HYDRAULIC ENGINEERS SINCE 1988



PETEC Global Marine Solutions |  
Product Catalogue 2025-2026

**PETEC**  
MARINE HYDRAULIC ENGINEERS SINCE 1988

## VERTICAL CAPSTANS

# SP VERTICAL CAPSTANS

When it comes to simple and cost-effective rope hauling, our SP Vertical Capstans are the ideal choice. With a clutchable warping head, they provide control and versatility in various applications. The capstans are designed with an inspection cover, allowing effortless maintenance and ensuring optimal performance.

Equipped with a premium quality gearbox, our vertical capstans deliver reliable power and performance. The four-point bolt-down base enables quick and easy installation, minimizing downtime. We understand that different applications have unique requirements, and our capstans can be customized to suit your specific needs. With Petec's SP Vertical Capstans, you can rely on efficient and hassle-free rope hauling operations.

### BENEFITS:

- Provides cost-effective and efficient rope-hauling solutions
- Enables control and adaptability in various rope-hauling applications
- Facilitates easy maintenance and ensures optimal performance
- Reliable power transmission for consistent and smooth rope-hauling operations



## VERTICAL CAPSTANS

# SP VERTICAL CAPSTANS FEATURES

- Clutchable warping head for control and versatility
- Inspection cover for easy maintenance access
- Premium quality gearbox for reliable power transmission
- The four-point bolt-down base for quick and easy installation



PETEC Global Marine Solutions |  
Product Catalogue 2025-2026

**PETEC**  
MARINE HYDRAULIC ENGINEERS SINCE 1988



PETEC Global Marine Solutions |  
Product Catalogue 2025-2026

**PETEC**  
MARINE HYDRAULIC ENGINEERS SINCE 1988

## TRAWL DOORS

# SP TRAWL DOORS

In demanding seabed conditions, you need reliable equipment to withstand the rough environment. Our SP Trawl Doors are built with robust construction, ensuring durability and stability during trawling operations. Their V-shape design enhances stability and helps maintain an optimal trawling position.

We understand that each customer has specific requirements, and our trawl doors can be custom-built to meet those needs. Whether it's size, weight, or additional features, we can tailor the trawl doors to ensure optimal performance and efficiency in your trawling operations. Trust Petec's SP Trawl Doors for durable and reliable solutions that stand up to the rigours of the marine environment.

### BENEFITS:

- Withstands demanding seabed conditions, ensuring longevity and reliability
- Provides stability and maintains an optimal trawling position for efficient operations
- Tailored to meet specific customer requirements for seamless integration
- Ensures consistent and high-performance trawling operations

## TRAWL DOORS

# SP TRAWL DOORS FEATURES

- Robust construction to withstand rough seabed conditions
- V-shape design for stability during trawling operations
- Custom-built according to customer requirements





PETEC Global Marine Solutions |  
Product Catalogue 2025-2026

**PETEC**  
MARINE HYDRAULIC ENGINEERS SINCE 1988

## SP SNATCH BLOCK

# SP SNATCH BLOCKS

When it comes to versatile lifting operations, our SP Snatch Blocks offer a wide variety of options. We provide snatch blocks designed to meet your specific requirements, ensuring efficient and safe lifting operations. For extended durability, we offer stainless steel frame options, increasing the lifespan of the snatch blocks and minimizing maintenance needs.

With Petec's SP Snatch Blocks, you can rely on high-quality construction and precise engineering, enabling smooth and controlled lifting in various applications. Whether it's for rigging, hoisting, or towing, our snatch blocks provide reliable performance and peace of mind.

PETEC Global Marine Solutions |  
Product Catalogue 2025-2026



### **BENEFITS:**

- Provides flexibility for various lifting applications
- Increases lifespan and resistance to corrosion with a stainless steel frame option
- Tailored to meet specific customer needs and lifting requirements
- Enhances lifting efficiency and safety during operations

**SP SNATCH BLOCK**

# SP SNATCH BLOCKS FEATURES

- Wide variety of snatch blocks for versatile lifting operations
- Stainless steel frame option for increased durability
- Customizable design to meet customer requirements



PETEC Global Marine Solutions |  
Product Catalogue 2025-2026

**PETEC**  
MARINE HYDRAULIC ENGINEERS SINCE 1988



PETEC Global Marine Solutions |  
Product Catalogue 2025-2026

**PETEC**  
MARINE HYDRAULIC ENGINEERS SINCE 1988

## CONTROL PANELS

# SP CONTROL PANELS

Petec understands the importance of customized control panels to meet the unique needs of marine operations. Our SP Control Panels offer a fully customizable layout, allowing you to tailor the control panel to your specific requirements. Engraving or bolt-on name tags provide clarity and ease of use, ensuring seamless operation.

Built with stainless steel and a brushed finish, our control panels combine durability and aesthetics. We offer a wide variety of controls and feedback equipment, enabling you to configure the panel to your desired specifications. With Petec's SP Control Panels, you have a reliable and user-friendly control system that enhances the efficiency and effectiveness of your marine operations.

PETEC Global Marine Solutions |  
Product Catalogue 2025-2026



## BENEFITS:

- Tailored control panel layout to suit specific operational requirements
- Clear identification and ease of use with engraved or bolt-on name tags
- Durable and visually appealing control panel design
- Customizable controls and feedback equipment for enhanced functionality and operational efficiency

## CONTROL PANELS

# SP CONTROL PANELS FEATURES

- Fully customizable control panel layout
- Engraving or bolt-on name tags for clarity and ease of use
- Stainless steel with a brushed finish for durability and aesthetics
- Wide variety of controls and feedback equipment available for customization





PETEC Global Marine Solutions |  
Product Catalogue 2025-2026

**PETEC**  
MARINE HYDRAULIC ENGINEERS SINCE 1988

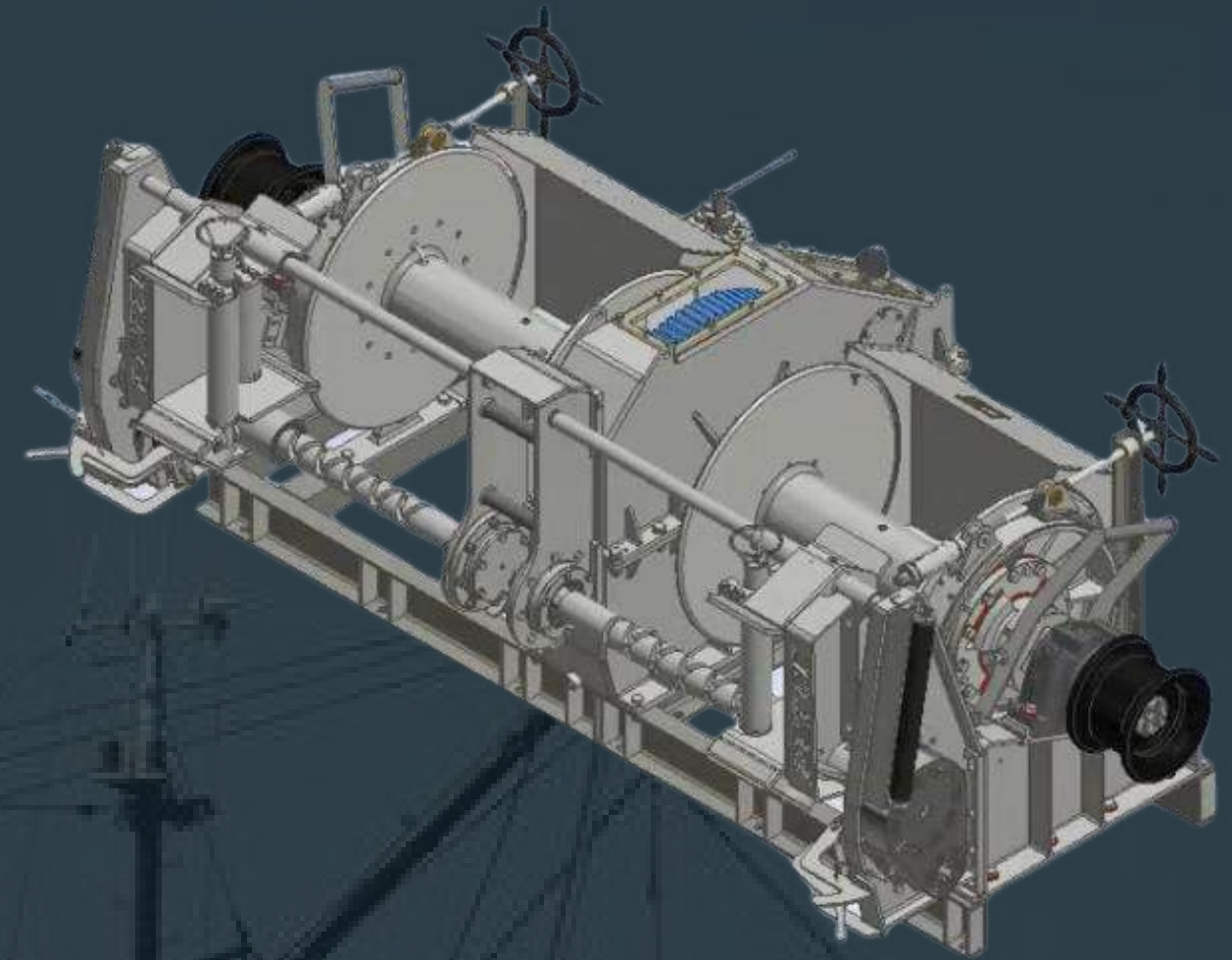
## TRAWL WINCH

# TW-SERIES

The TW100 Trawl Winch by PETEC Services is a compact, high-performance winch designed for 40 to 65-foot vessels. Its single-base configuration makes it ideal for smaller boats, while the locally designed gearbox features clear covers and lubrication inspection ports for easy maintenance. The main gears run in an oil bath, ensuring durability and smooth operation. With low maintenance needs, it only requires an oil change every 1000 hours and periodic greasing, making it a cost-effective choice for commercial fishing.

With a maximum pull of 17.5 tonnes on an empty drum and 5 tonnes on a full drum (at 150 bar pressure), the TW100 delivers powerful and reliable performance. It holds up to 1000 meters of 19mm steel cable, operates at a mean line speed of 31 meters per minute, and requires 150-250 liters of oil per minute. Designed for easy installation, it includes a drilling template for quick deck mounting and has been adapted for the South American market to meet global fishing demands.

PETEC Global Marine Solutions |  
Product Catalogue 2025-2026



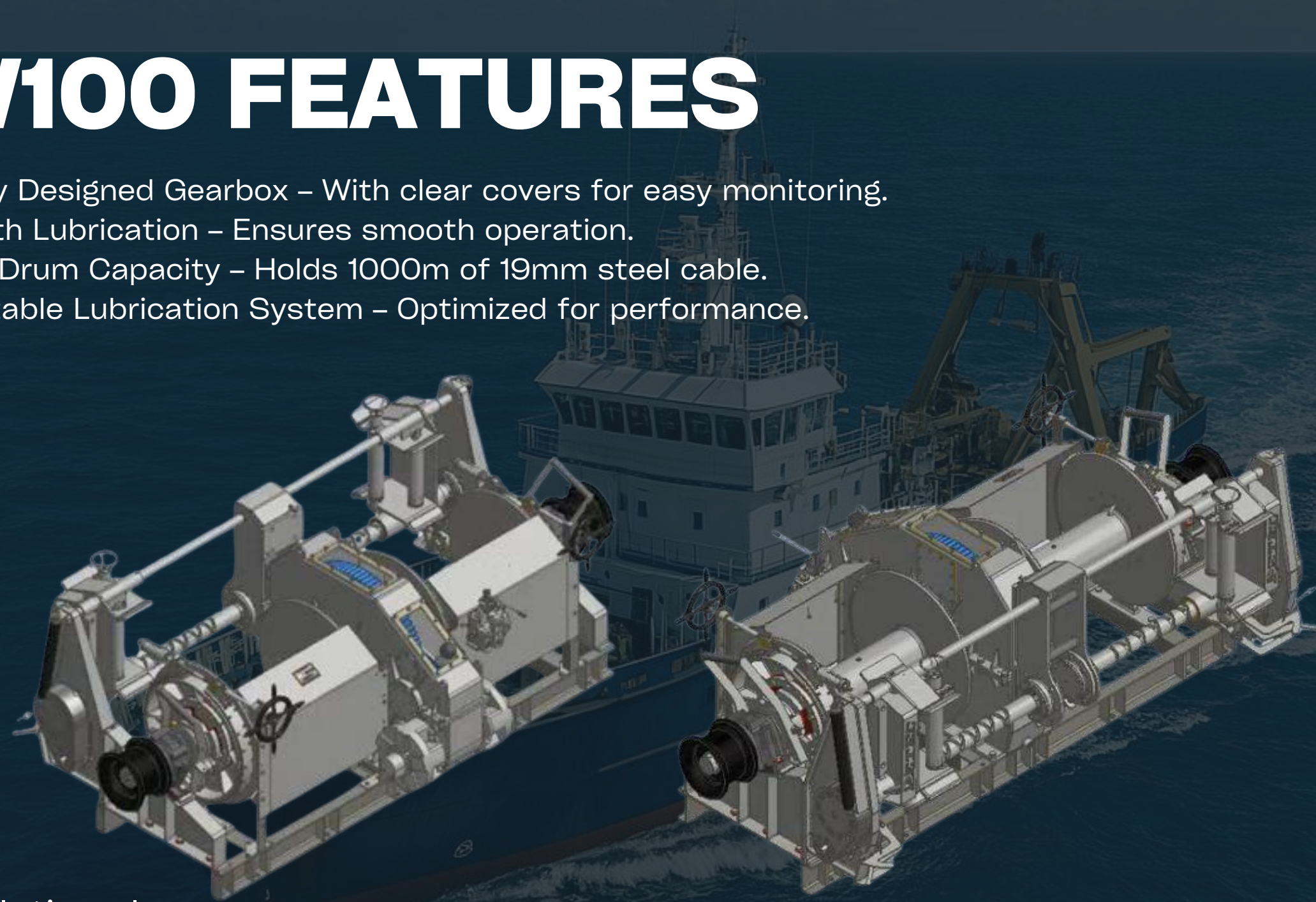
### BENEFITS:

- Compact & Space-Saving – Perfect for smaller vessels.
- Low Maintenance – Requires minimal servicing.
- High Pulling Power – Handles up to 17.5 tonnes.
- Easy Installation – Comes with a drilling template.

## TRAWL WINCH

# TW100 FEATURES

- Locally Designed Gearbox – With clear covers for easy monitoring.
- Oil Bath Lubrication – Ensures smooth operation.
- Large Drum Capacity – Holds 1000m of 19mm steel cable.
- Adjustable Lubrication System – Optimized for performance.



PETEC Global Marine Solutions |  
Product Catalogue 2025-2026

**PETEC**  
MARINE HYDRAULIC ENGINEERS SINCE 1988

## PRODUCTS

# KEY PRODUCTS

- **DS-Series Dewatering Screens:** Made from marine-grade stainless steel 316, these screens efficiently separate fish from the incoming fish-water flow and feature removable screens for easy maintenance.
- **FP-Series Fish Pumps:** Designed for high pumping rates with minimal fish damage, featuring a marine-grade aluminum body, stainless steel cages, and rubber buffer strips for added protection.
- **GB-Series Hydraulic Inline Power Take-Offs:** Compact, high-performance gearboxes with top-tier bearings, clutches, and precision gear sets for seamless power transfer and long-term reliability.
- **AW-Series Anchor Winches:** Engineered for peak performance with minimal deck space, including an engageable chain gypsy, a handwheel-operated band brake, and a versatile warping head.
- **3RNH Series Net Haulers:** Ensures efficient net guidance, reducing strain, wear, and slippage, making fishing operations smoother and more effective.
- **NS Series Net Stackers:** Optimizes net stacking with precise path guidance, maximizing net-bin coverage while reducing downtime.
- **BT-110 Bow Thrusters:** Hydraulically driven for smooth, bi-directional side thrust, improving vessel maneuverability in demanding marine conditions.
- **RST Series Retractable Stern Thrusters:** Compact, hydraulically driven thrusters designed for superior maneuverability and positioning in tight marine spaces.

## PRODUCTS

# PRODUCT APPLICATIONS

Our products are integral to various marine operations, including:

- Commercial Fishing: Equipment like the DS-Series Dewatering Screens and FP-Series Fish Pumps streamline the handling and processing of catch, enhancing efficiency and preserving product quality.
- Marine Transportation: Tools such as the GB-Series Hydraulic Inline Power Take-Offs and AW-Series Anchor Winches ensure reliable vessel operation, contributing to safe and efficient maritime transport.
- Offshore Oil and Gas: Robust equipment like the RST Series Retractable Stern Thrusters and BT-110 Bow Thrusters provide the necessary maneuverability and stability required in offshore operations.

## PRODUCTS

# PRODUCT INNOVATION & DESIGN

We are committed to continuous innovation, integrating advanced engineering principles and state-of-the-art technology into our product designs. By utilizing high-quality materials such as marine-grade stainless steel and aluminum, our products offer enhanced durability and resistance to harsh marine conditions. Features like removable screens in dewatering systems and precision gear sets in power take-offs exemplify our dedication to user-friendly and efficient designs. This focus on innovation ensures that Petec's equipment meets the evolving needs of the marine industry, delivering high performance, energy efficiency, and longevity.

We actively partner with industry leaders across the global marine sector to ensure that our products consistently meet the highest standards of performance, reliability, and safety. By collaborating with top engineers, vessel operators, and regulatory bodies, we stay ahead of industry advancements and continuously refine our designs to align with evolving marine challenges. This commitment to excellence guarantees that every Petec product delivers unmatched efficiency and durability in the most demanding environments.